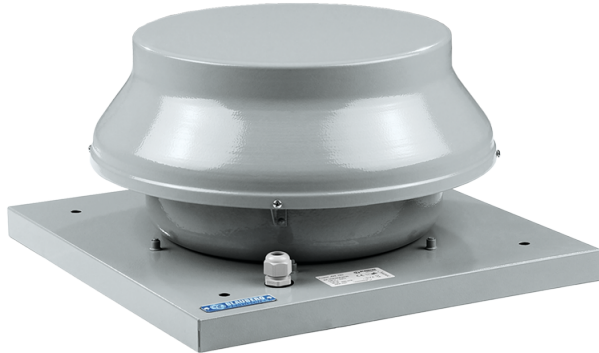


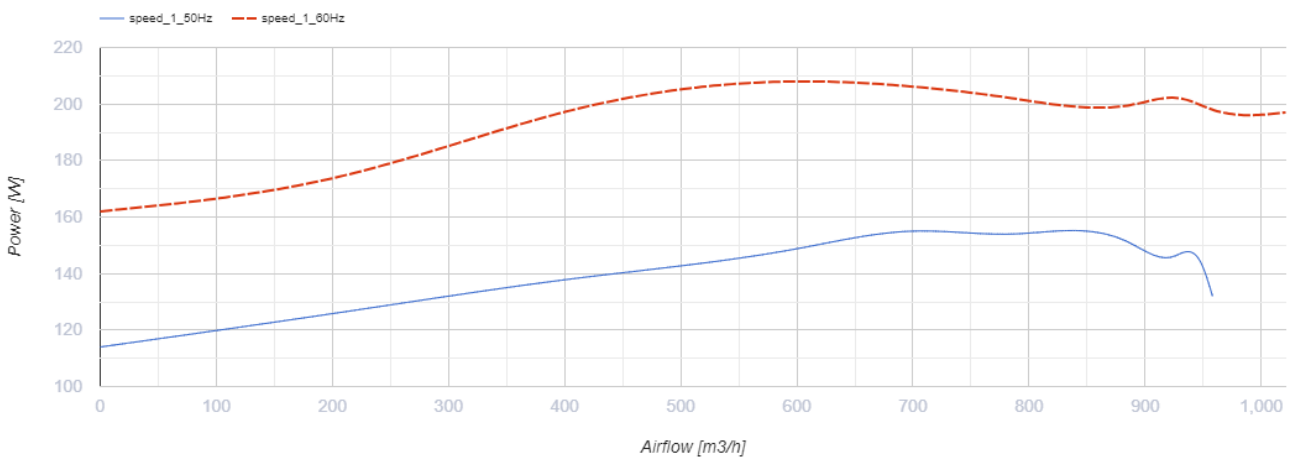
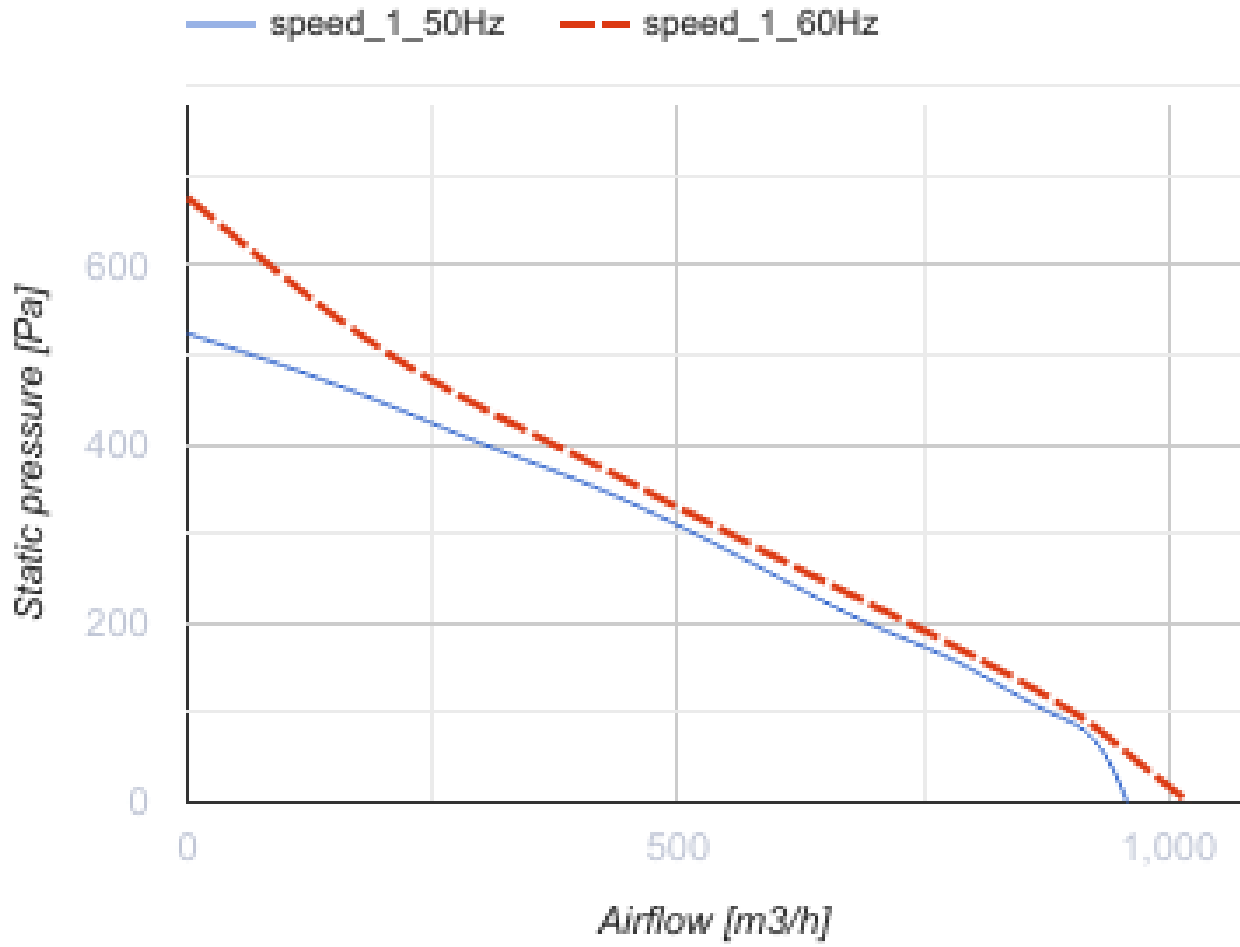
Tower-AM 200

Roof centrifugal fans



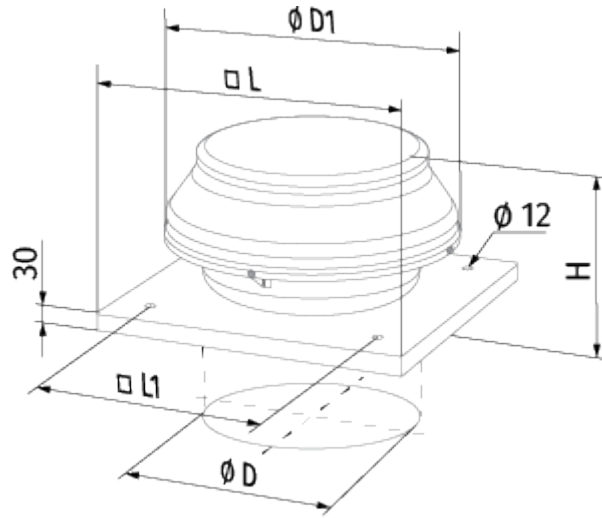
- Maximum airflow: 950
- Sound pressure level LpA at 3 m: 48
- Motor type: AC
- Impeller type: Centrifugal backward curved blades
- Casing material: Coated steel

	Unit of measurement	Tower-AM 200
Connected air duct size	mm	200
Speed	-	1
Phases	-	1
Minimum supply voltage	V	220
Maximum supply voltage	V	240
Power supply frequency	Hz	50/60
Rated power	W	154
Unit current	A	0.67
Maximum airflow	m ³ /h	950
rotation speed at 50hz	-	2375
Sound pressure level LpA at 3 m	dB(A)	48
Weight	kg	8.1
Transported air temperature (max)	°C	50
Transported air temperature (min)	°C	-25
Ingress protection rating	-	IPX4
Ingress protection rating of the drive	-	IP44

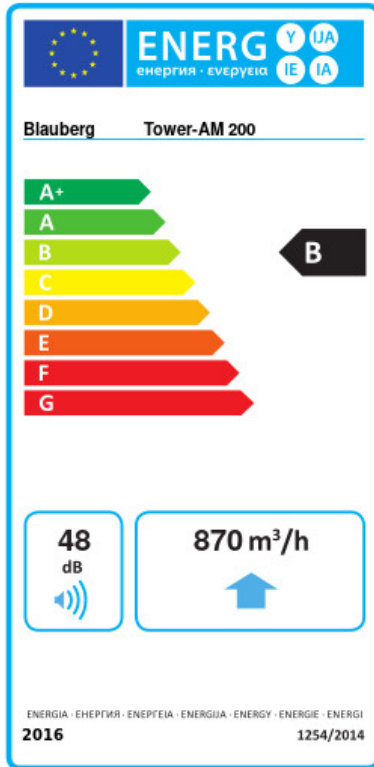


Dimensions

$\varnothing D$	$\varnothing D1$	H	L	L1
198	400	250	440	330



Ecodesign



Trademark	Blaubeerg					
Model	Tower-AM 200					
Specific energy consumption (SEC) (kWh/(m ² /a))	Cold		Average		Warm	
	-53.5	A+	-26.5	B	-11	E
Type of ventilation unit	Unidirectional					
Type of drive installed	Variable speed					
Type of heat recovery system	None					
Maximum flow rate (m ³ /h)	870					
Electric power input (W)	154					
Reference flow rate (m ³ /s)	0.169					
Reference pressure difference (Pa)	50					
Specific power input (SPI) (W/(m ³ /h))	0.139					
Control typology	Local demand control					
Maximum external leakage rates (%)	2.7					
Declared typology	RVU UVU					
Sound power level (dB(A))	48					
The annual electricity consumption (AEC) (kWh/a)	Cold		Average		Warm	
	74		74		74	
The annual heating saved (AHS) (kWh/a)	Cold		Average		Warm	
	5536		2830		1280	

Accessories

Thyristor speed controllers

Name	Photo	Description
CDT E1.8		Thyristor speed controller