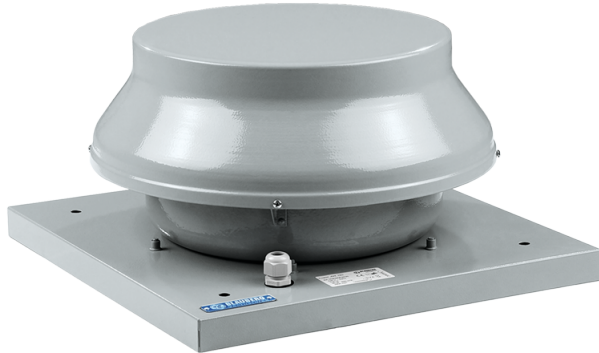


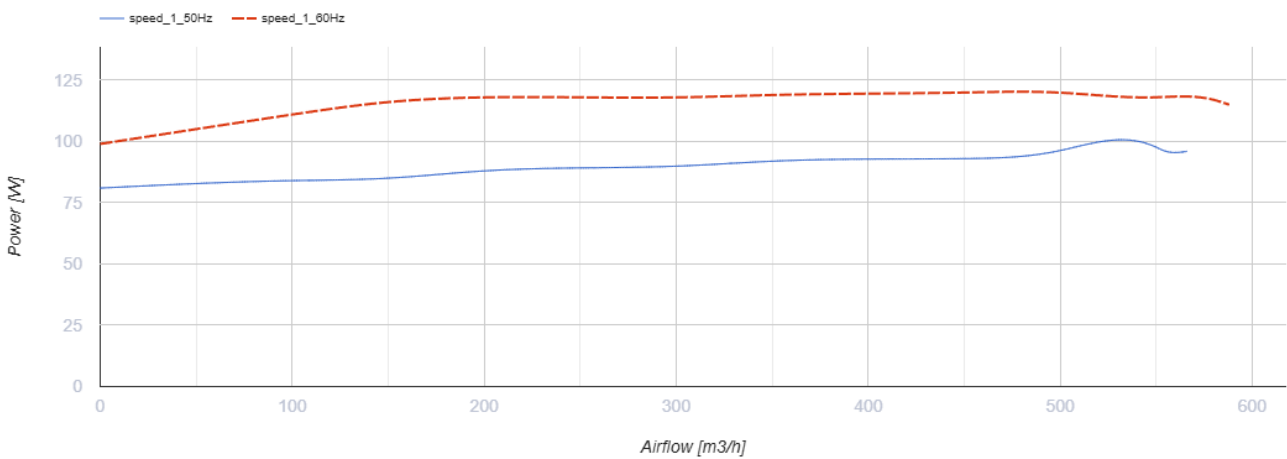
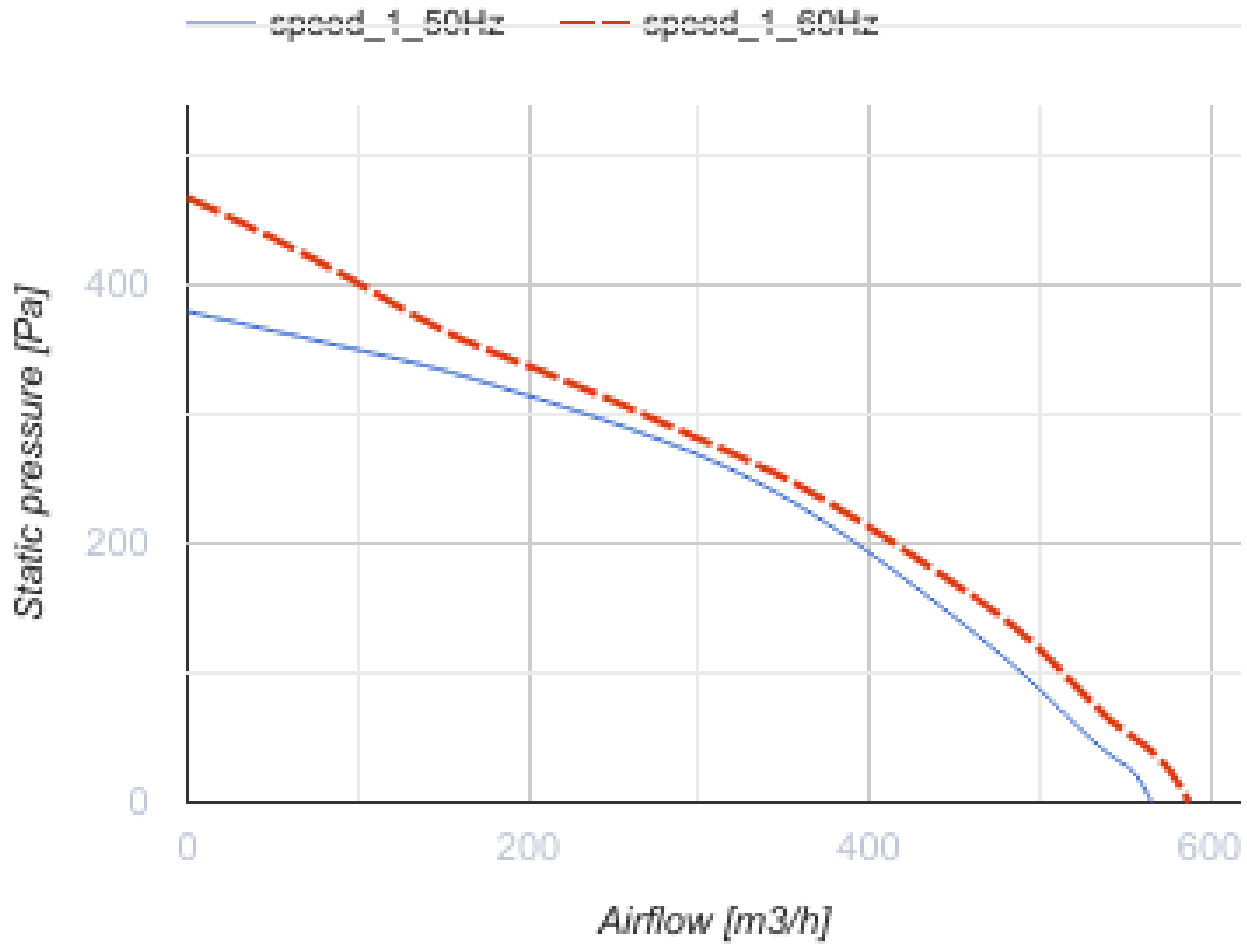
Tower-AM 150

Roof centrifugal fans



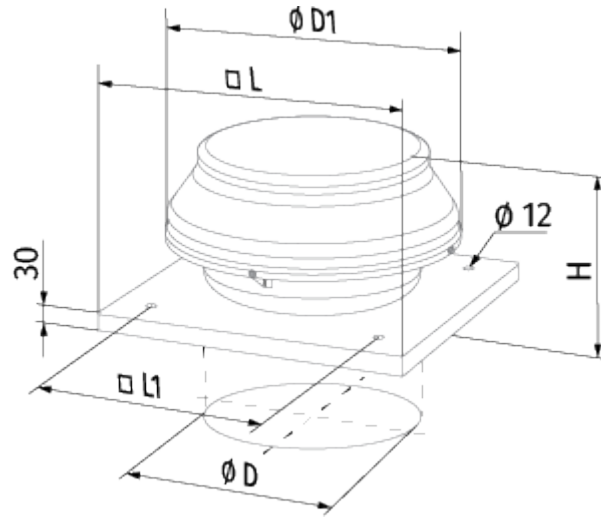
- Maximum airflow: 555
- Sound pressure level LpA at 3 m: 47
- Motor type: AC
- Impeller type: Centrifugal backward curved blades
- Casing material: Coated steel

	Unit of measurement	Tower-AM 150
Connected air duct size	mm	150
Speed	-	1
Phases	-	1
Minimum supply voltage	V	220
Maximum supply voltage	V	240
Power supply frequency	Hz	50/60
Rated power	W	98
Unit current	A	0.43
Maximum airflow	m ³ /h	555
rotation speed at 50hz	-	2705
Sound pressure level LpA at 3 m	dB(A)	47
Weight	kg	7.2
Transported air temperature (max)	°C	55
Transported air temperature (min)	°C	-25
Ingress protection rating	-	IPX4
Ingress protection rating of the drive	-	IP44

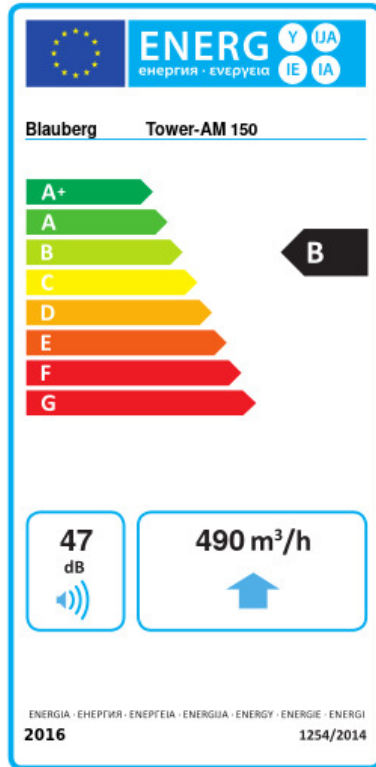


Dimensions

ØD	ØD1	H	L	L1
149	400	230	440	330



Ecodesign



Trademark	Blaubeerg					
Model	Tower-AM 150					
Specific energy consumption (SEC) (kWh/(m ² /a))	Cold		Average		Warm	
	-53.3	A+	-26.2	B	-10.7	E
Type of ventilation unit	Unidirectional					
Type of drive installed	Variable speed					
Type of heat recovery system	None					
Maximum flow rate (m ³ /h)	490					
Electric power input (W)	98					
Reference flow rate (m ³ /s)	0.095					
Reference pressure difference (Pa)	50					
Specific power input (SPI) (W/(m ³ /h))	0.157					
Control typology	Local demand control					
Maximum external leakage rates (%)	2.7					
Declared typology	RVU UVU					
Sound power level (dB(A))	47					
The annual electricity consumption (AEC) (kWh/a)	Cold		Average		Warm	
	83		83		83	
The annual heating saved (AHS) (kWh/a)	Cold		Average		Warm	
	5536		2830		1280	

Accessories

Other accessories

Name	Photo	Description
CDT E1.8		Thyristor speed controller