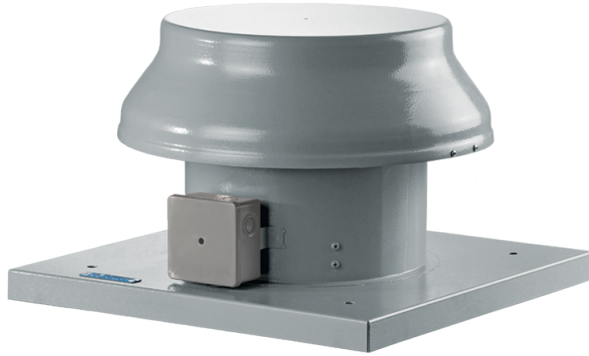


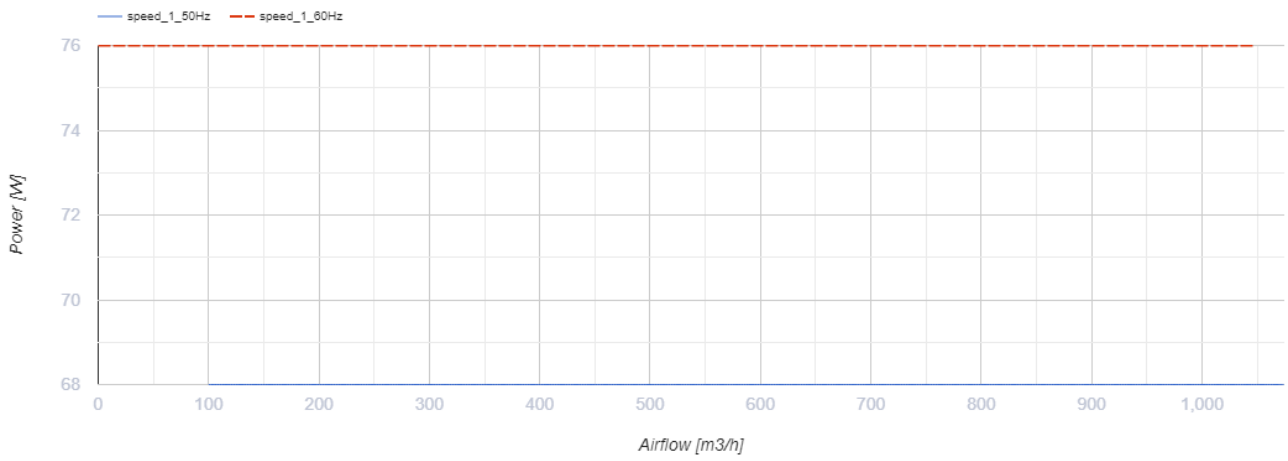
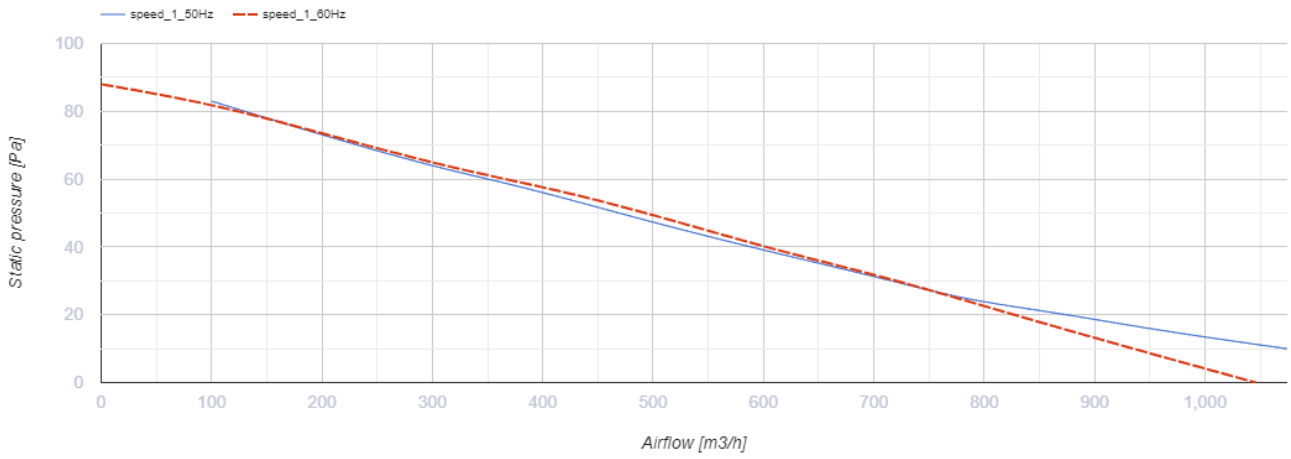
# Tower-AL 250

Roof axial fans

- Maximum airflow: 1070
- Sound pressure level LpA at 3 m: 48
- Motor type: AC
- Impeller type: Axial
- Casing material: Coated steel

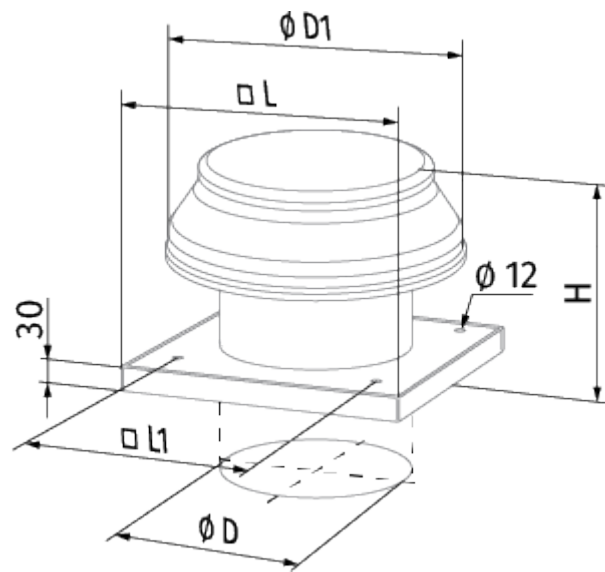


	Unit of measurement	Tower-AL 250
Connected air duct size	mm	250
Speed	-	1
Minimum supply voltage	V	220
Maximum supply voltage	V	240
Power supply frequency	Hz	50/60
Rated power	W	68
Unit current	A	0.48
Maximum airflow	m <sup>3</sup> /h	1070
Sound pressure level LpA at 3 m	dB(A)	48
Weight	kg	7.2
Transported air temperature (max)	°C	40
Ingress protection rating	-	IP24
Ingress protection rating of the drive	-	IP44



## Dimensions

ØD	ØD1	H	L	L1
262	405	300	425	330



## Ecodesign

Trademark	Blauberg
Model	Tower-AL 250
Type of ventilation unit	Unidirectional
Type of drive installed	External MSD or VSD
Type of heat recovery system	None
Nominal flow rate (m <sup>3</sup> /s)	0.096
Nominal external pressure (Pa)	60
Maximum external leakage rates (%)	2.7
Static efficiency (%)	8
Declared typology	NRVU UVU
Sound power level (dB(A))	68
Effective electric power input (kW)	0.073

## Accessories

### Thyristor speed controllers

Name	Photo	Description
<a href="#">CDT E1.8</a>		Thyristor speed controller