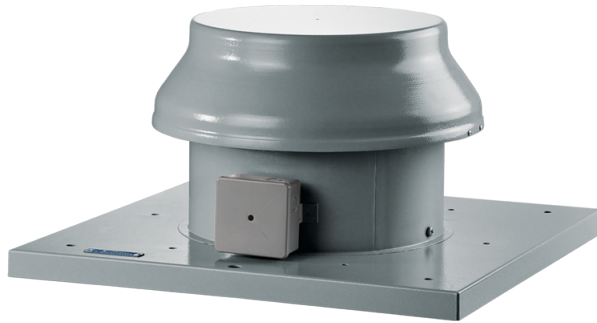


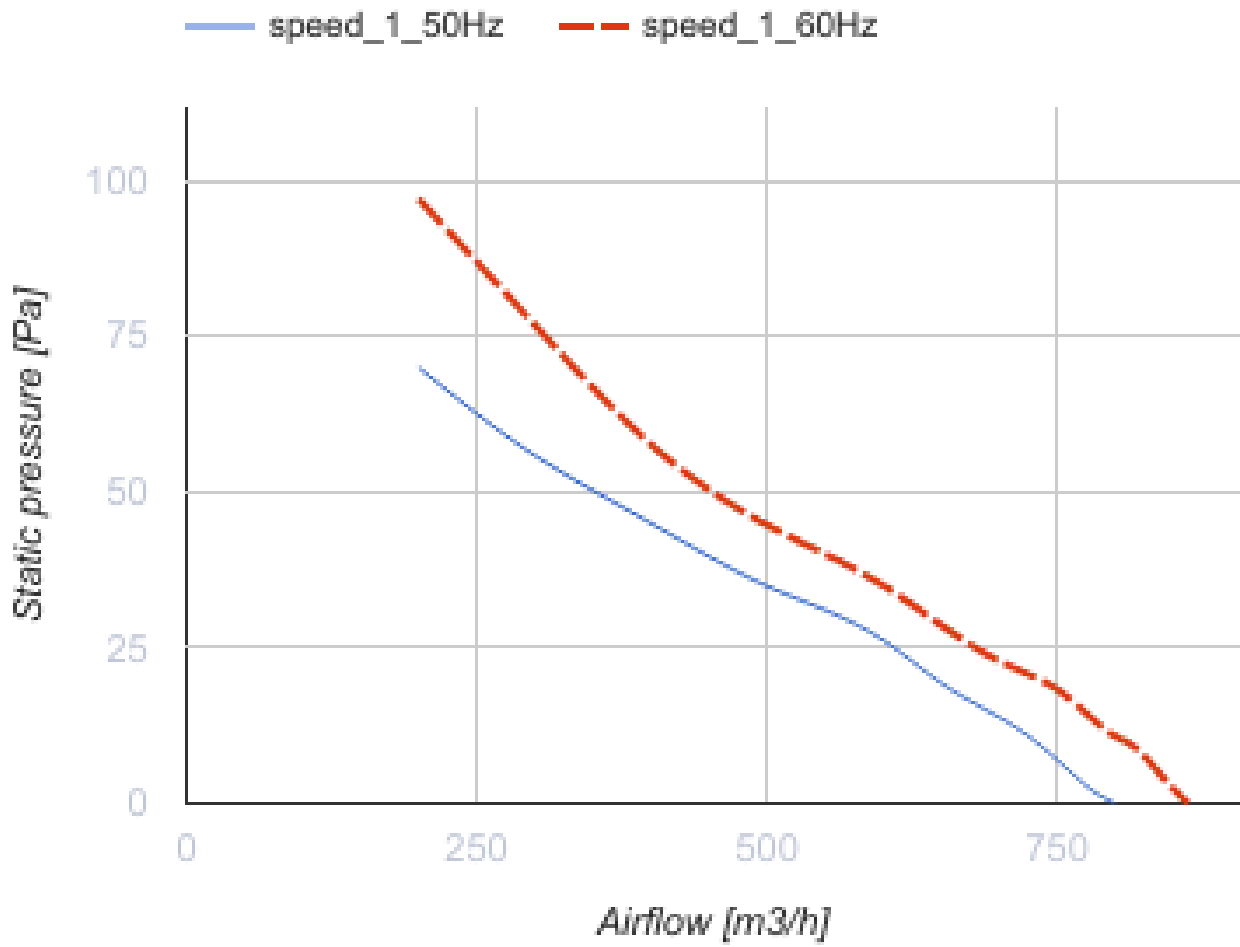
Tower-A 250 4E

Roof axial fans

- Maximum airflow: 800
- Sound pressure level LpA at 3 m: 55
- Motor type: AC
- Impeller type: Axial
- Casing material: Coated steel

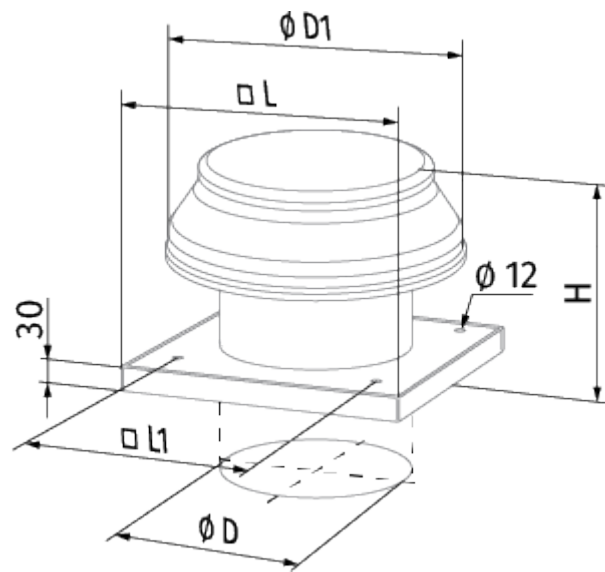


	Unit of measurement	Tower-A 250 4E
Connected air duct size	mm	250
Speed	-	1
Minimum supply voltage	V	220
Maximum supply voltage	V	240
Power supply frequency	Hz	50/60
Rated power	W	50
Unit current	A	0.22
Maximum airflow	m ³ /h	800
Sound pressure level LpA at 3 m	dB(A)	55
Weight	kg	7
Transported air temperature (max)	°C	60
Transported air temperature (min)	°C	-30
Ingress protection rating	-	IP24
Ingress protection rating of the drive	-	IP44

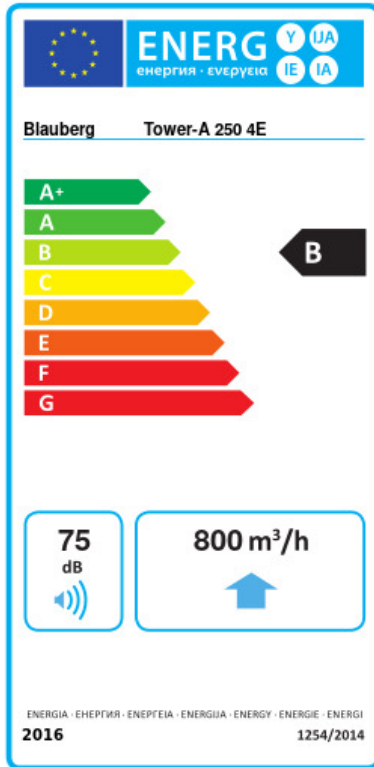


Dimensions

ØD	ØD1	H	L	L1
262	405	280	425	330



Ecodesign



Trademark	Blaubeerg					
Model	Tower-A 250 4E					
Specific energy consumption (SEC) (kWh/(m ² /a))	Cold		Average		Warm	
	-54.4	A+	-27.4	B	-11.9	E
Type of ventilation unit	Unidirectional					
Type of drive installed	Variable speed					
Type of heat recovery system	None					
Maximum flow rate (m ³ /h)	800					
Electric power input (W)	50					
Reference flow rate (m ³ /s)	0.156					
Specific power input (SPI) (W/(m ³ /h))	0.071					
Control typology	Local demand control					
Maximum external leakage rates (%)	2.7					
Declared typology	RVU UVU					
Sound power level (dB(A))	75					
The annual electricity consumption (AEC) (kWh/a)	Cold		Average		Warm	
	38		38		38	
The annual heating saved (AHS) (kWh/a)	Cold		Average		Warm	
	5536		2830		1280	

Accessories

Thyristor speed controllers

Name	Photo	Description
CDT E1.8		Thyristor speed controller