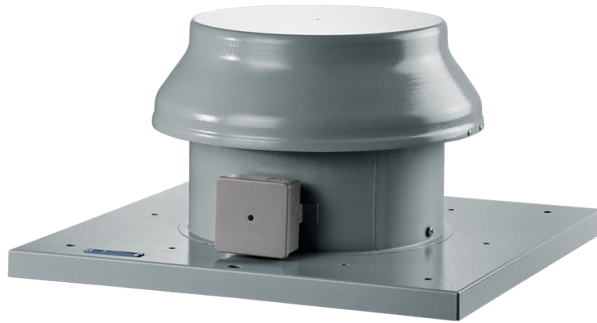


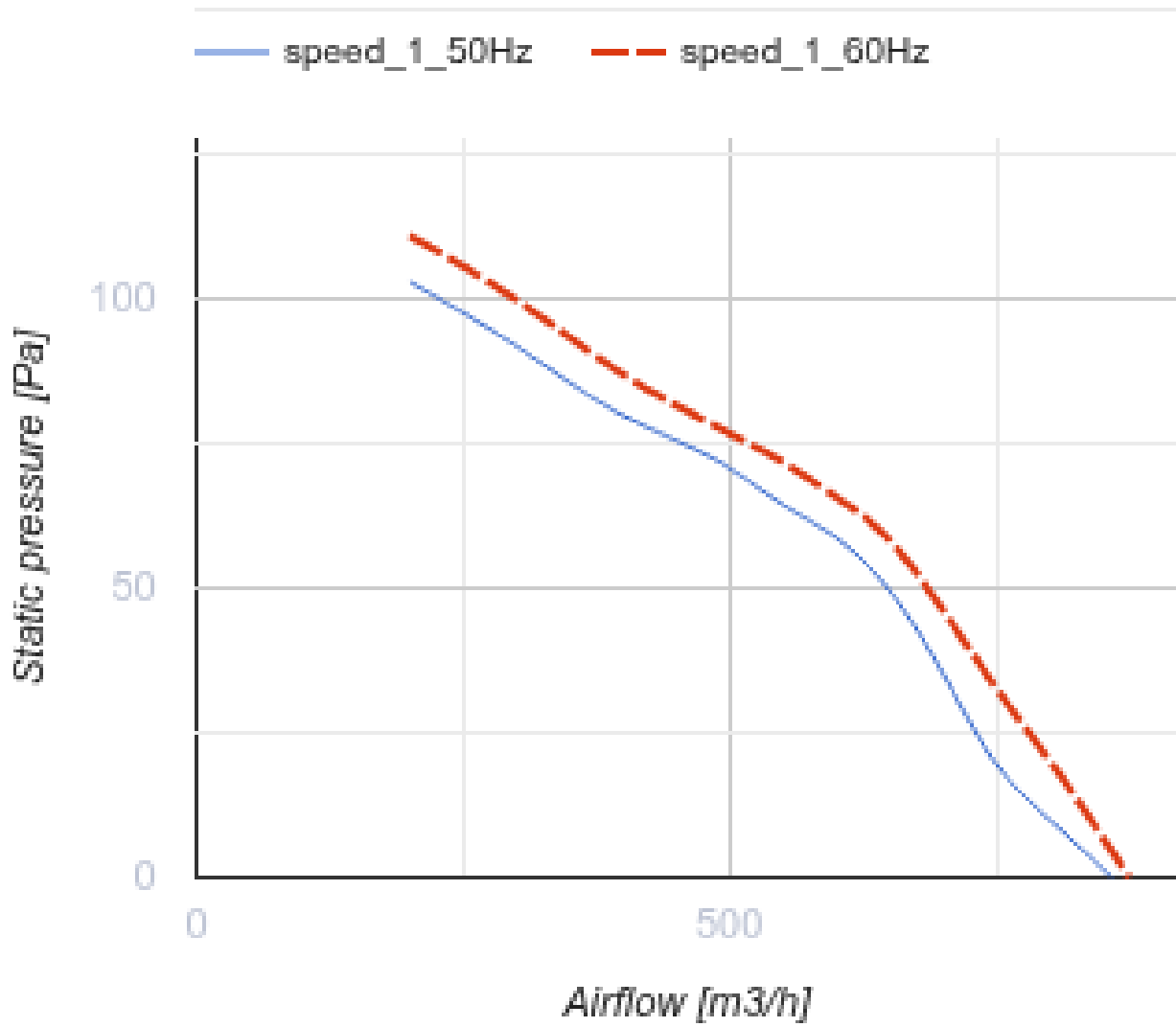
Tower-A 200 2E

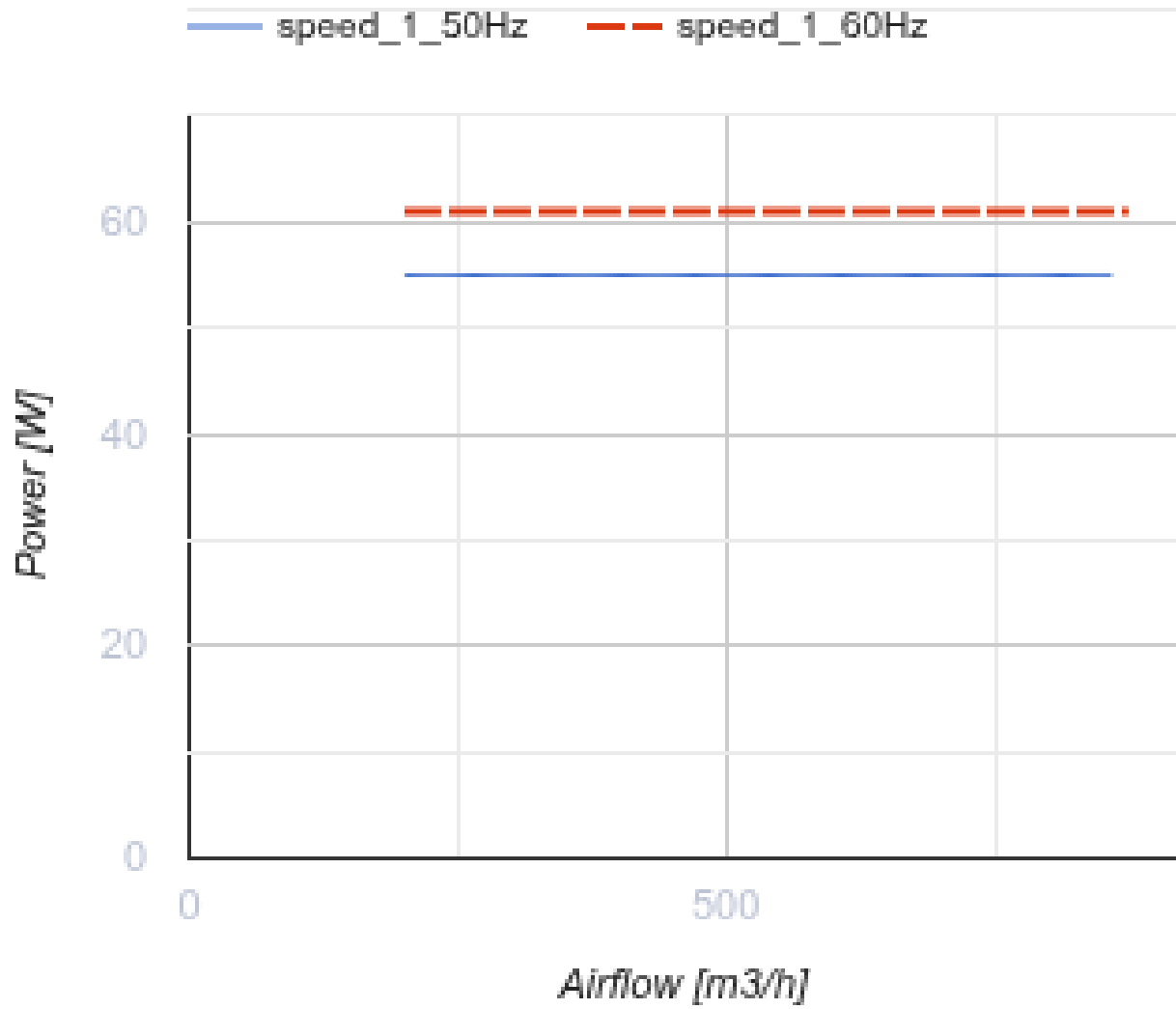
Roof axial fans

- Sound pressure level LpA at 3 m: 50
- Impeller type: Axial
- Casing material: Coated steel



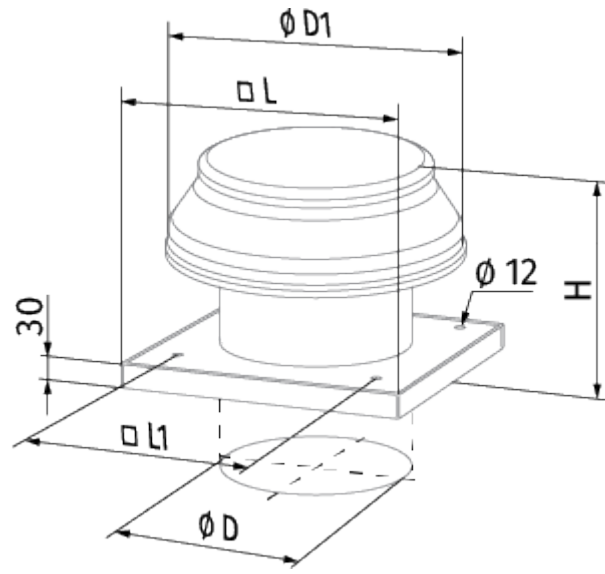
	Unit of measurement	Tower-A 200 2E
Connected air duct size	mm	200
Phases	-	1
Minimum supply voltage	V	220
Maximum supply voltage	V	240
Power supply frequency	Hz	50/60
Rated power	W	55
Unit current	A	0.26
Maximum airflow	m ³ /h	860
Rotation speed at 50hz	-	2300
Sound pressure level LpA at 3 m	dB(A)	50
Weight	kg	5
Transported air temperature (max)	°C	60
Transported air temperature (min)	°C	-30
Ingress protection rating	-	IP24
Ingress protection rating of the drive	-	IP44
Impeller material	-	Coated steel
Article	-	8017353



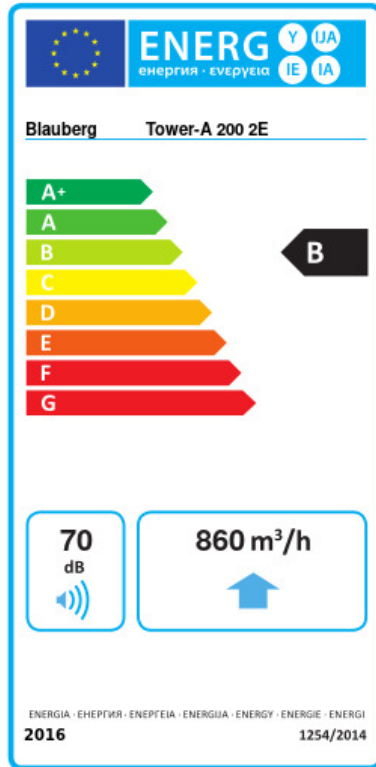


Dimensions

ØD	ØD1	H	L	L1
208	345	280	425	330



Ecodesign



Trademark	Blaubeerg					
Model	Tower-A 200 2E					
Specific energy consumption (SEC) (kWh/(m²/a))	Cold	Average		Warm		
	-54.4	A+	-27.3	B	-11.8	E
Type of ventilation unit	Unidirectional					
Type of drive installed	Variable speed					
Type of heat recovery system	None					
Maximum flow rate (m³/h)	860					
Electric power input (W)	55					
Reference flow rate (m³/s)	0.167					
Specific power input (SPI) (W/(m³/h))	0.073					
Control typology	Local demand control					
Maximum external leakage rates (%)	2.7					
Sound power level (dB(A))	70					
Declared typology	RVU UVU					
The annual electricity consumption (AEC) (kWh/a)	Cold	Average		Warm		
	39	39		39		
The annual heating saved (AHS) (kWh/a)	Cold	Average		Warm		
	5536	2830		1280		

Accessories

Transformer speed controllers

Name	Photo	Description
CDR5E E3.5 TP		Single phase speed controller
CDR5E E5.0 TP		Single phase speed controller
CDR5E E7.5 TP		Single phase speed controller

[CDR5E E1.5 TP](#)



Single phase speed controller