

Solo A60 S4 Pro R V.2

Wall ventilator with heat and energy recovery

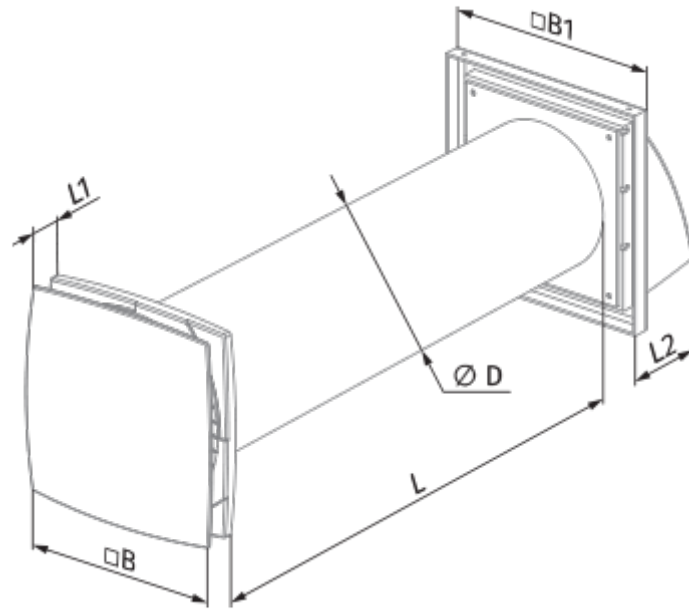


- Air flow in heat recovery mode: 18
- Sound pressure level LpA at 3 m: 29
- Sound pressure level LpA at 1 m: 38
- Motor type: EC
- Control: Remote Control
- Casing material: Plastic
- Humidity sensor: Built-in

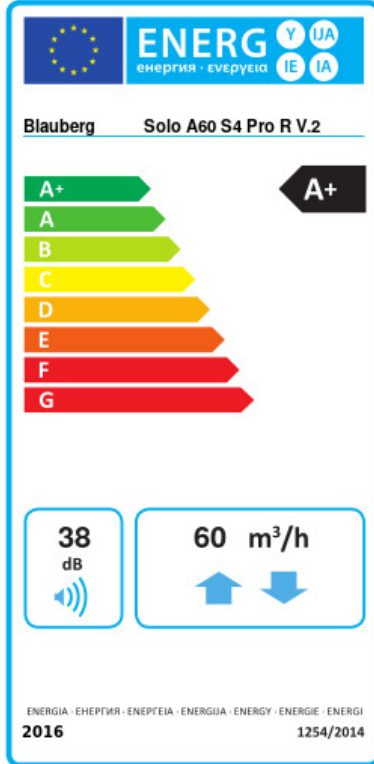
| | Unit of measurement | Solo A60 S4 Pro R V.2 | |
|-----------------------------------|---------------------|-----------------------|-------|
| Speed | - | 2 | |
| Minimum supply voltage | V | 220 | |
| Maximum supply voltage | V | 240 | |
| Power supply frequency | Hz | 50/60 | |
| Rated power | W | 1.10 | 3.20 |
| Unit current | A | 0.021 | 0.042 |
| Air flow in ventilation mode | m ³ /h | 35 | |
| Air flow in heat recovery mode | m ³ /h | 18 | |
| Sound pressure level LpA at 3 m | dB(A) | 27 | 29 |
| Sound pressure level LpA at 1 m | dB(A) | 27 | 38 |
| Heat recovery efficiency, max | % | 85 | |
| Transported air temperature (max) | °C | 40 | |
| Transported air temperature (min) | °C | -15 | |
| Ambient air temperature min | °C | 1 | |
| Ambient air temperature max | °C | 40 | |
| Ambient air humidity max | % | 65 | |
| Ingress protection rating | - | IP24 | |

Dimensions

| $\varnothing D$ | B | B1 | L | L1 | L2 |
|-----------------|-----|-----|---------|----|----|
| 156 | 205 | 186 | 305-380 | 35 | 86 |



Ecodesign



| | | | | | | |
|---|-----------------------|----|---------|----|-------|---|
| Trademark | Blaubeerg | | | | | |
| Model | Solo A60 S4 Pro R V.2 | | | | | |
| Specific energy consumption (SEC) (kWh/(m ² /a)) | Cold | | Average | | Warm | |
| | -83.6 | A+ | -42.4 | A+ | -18.8 | E |
| Type of ventilation unit | Bidirectional | | | | | |
| Type of drive installed | 2-speed | | | | | |
| Type of heat recovery system | Regenerative | | | | | |
| Thermal efficiency of heat recovery (%) | 74 | | | | | |
| Maximum flow rate (m ³ /h) | 60 | | | | | |
| Electric power input (W) | 3.2 | | | | | |
| Reference flow rate (m ³ /s) | 0.01 | | | | | |
| Specific power input (SPI) (W/(m ³ /h)) | 0.031 | | | | | |
| Control typology | Local demand control | | | | | |
| Airflow sensitivity at +20 Pa and -20 Pa (%) | 0 | | | | | |
| Sound power level (dB(A)) | 38 | | | | | |
| Declared typology | RVU BVU | | | | | |
| The annual electricity consumption (AEC) (kWh/a) | Cold | | Average | | Warm | |
| | 26 | | 26 | | 26 | |
| The annual heating saved (AHS) (kWh/a) | Cold | | Average | | Warm | |
| | 84 | | 43 | | 19 | |