

Solo A50 S4 Pro R V.2

Wall ventilator with heat and energy recovery



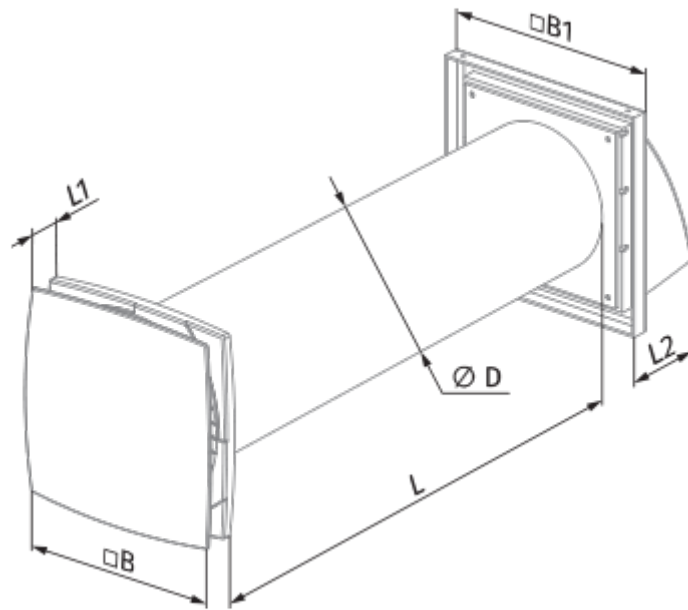
- Air flow in heat recovery mode: 13
- Sound pressure level LpA at 3 m: 29
- Heat recovery efficiency: 75
- Heat exchanger type: Regenerative
- Filter: G3
- Motor type: EC
- Control: Remote Control
- Casing material: Plastic
- Humidity sensor: Built-in

	Unit of measurement	Solo A50 S4 Pro R V.2	
Speed	-	2	
Minimum supply voltage	V	220	
Maximum supply voltage	V	240	
Power supply frequency	Hz	50/60	
Rated power	W	2.30	4.00
Unit current	A	0.070	0.075
Air flow in ventilation mode	m ³ /h	25	50
Air flow in heat recovery mode	m ³ /h	13	
Sound pressure level LpA at 3 m	dB(A)	16	29
Sound pressure level LpA at 1 m	dB(A)		
Heat recovery efficiency	%	75	
Heat recovery efficiency, max	%	0	
Heat exchanger type	-	Regenerative	
Heat exchanger material	-	Ceramic	
Filter	-	G3	
Transported air temperature (max)	°C	40	
Transported air temperature (min)	°C	-15	
Ambient air temperature min	°C	1	
Ambient air temperature max	°C	40	
Ambient air humidity max	%	65	

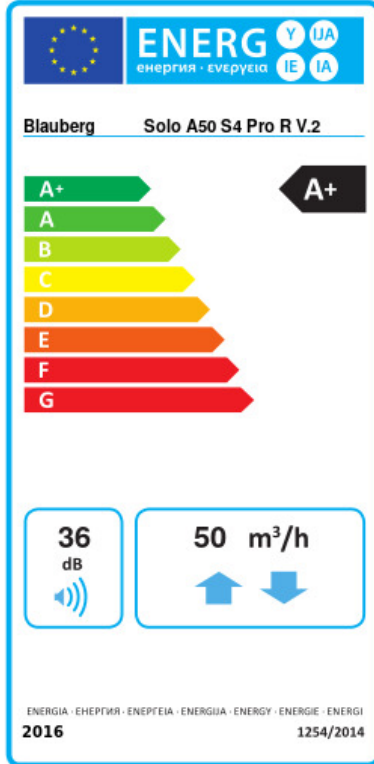
Ingress protection rating	-	IP24
---------------------------	---	------

Dimensions

$\varnothing D$	B	B1	L	L1	L2
131	175	186	305-380	35	85



Ecodesign



Trademark	Blaubeerg					
Model	Solo A50 S4 Pro R V.2					
Specific energy consumption (SEC) (kWh/(m²/a))	Cold		Average		Warm	
	-83.7	A+	-42.5	A+	-18.9	E
Type of ventilation unit	Bidirectional					
Type of drive installed	2-speed					
Type of heat recovery system	Regenerative					
Thermal efficiency of heat recovery (%)	74					
Maximum flow rate (m³/h)	50					
Electric power input (W)	2.3					
Reference flow rate (m³/s)	0.007					
Specific power input (SPI) (W/(m³/h))	0.028					
Control typology	Local demand control					
Airflow sensitivity at +20 Pa and -20 Pa (%)	0					
Sound power level (dB(A))	36					
Declared typology	RVU BVU					
The annual electricity consumption (AEC) (kWh/a)	Cold		Average		Warm	
	23		23		23	
The annual heating saved (AHS) (kWh/a)	Cold		Average		Warm	
	84		43		19	