



Slim 150 T

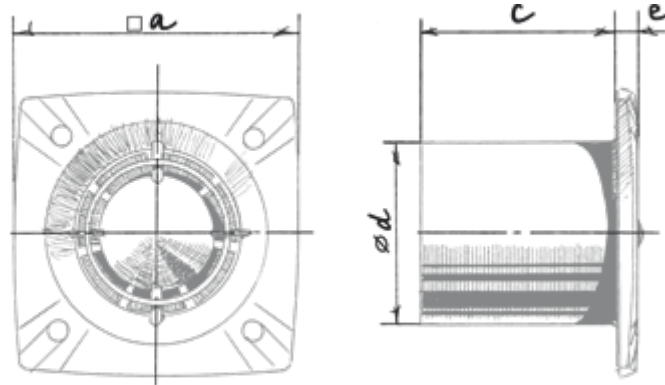
Extract fans

- Maximum airflow: 305
- Sound pressure level LpA at 3 m: 37
- Motor type: AC
- Casing material: Plastic
- Backdraft protection: Backdraft damper
- Timer: Turn off timer

	Unit of measurement	Slim 150 T
Connected air duct size	mm	150
Speed	-	1
Minimum supply voltage	V	220
Maximum supply voltage	V	240
Power supply frequency	Hz	50
Rated power	W	24
Unit current	A	0.13
Maximum airflow	m ³ /h	305
Sound pressure level LpA at 3 m	dB(A)	37
Ambient air temperature min	°C	1
Ambient air temperature max	°C	40
Ingress protection rating	-	IP24

Dimensions

a	c	Ø d	e
205	118	150	13



Ecodesign



Trademark	Blauberg					
Model	Slim 150 T					
Specific energy consumption (SEC) (kWh/(m ² /a))	Cold		Average		Warm	
	-34.3	A	-16.4	E	-6.1	F
Type of ventilation unit	Unidirectional					
Type of drive installed	Single speed					
Type of heat recovery system	None					
Maximum flow rate (m ³ /h)	305					
Electric power input (W)	24					
Reference flow rate (m ³ /s)	0.059					
Specific power input (SPI) (W/(m ³ /h))	0.079					
Control typology	Clock control					
Maximum external leakage rates (%)	2.7					
Declared typology	RVU UVU					
Sound power level (dB(A))	57					
The annual electricity consumption (AEC) (kWh/a)	Cold		Average		Warm	
	94		94		94	
The annual heating saved (AHS) (kWh/a)	Cold		Average		Warm	
	3667		1874		848	

Accessories

Other accessories

Name	Photo	Description
CDT E1.8		Thyristor speed controller