



Slim 125 H

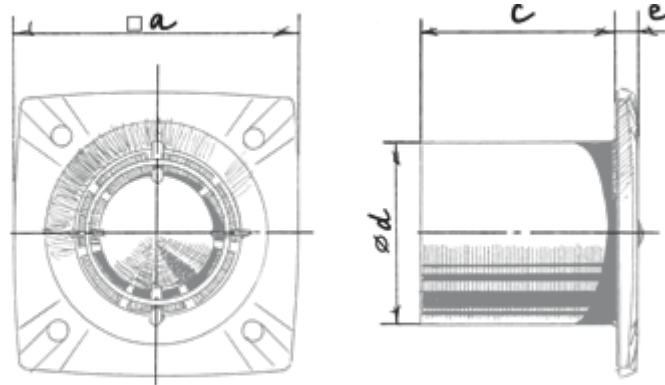
Extract fans

- Maximum airflow: 190
- Sound pressure level LpA at 3 m: 34
- Motor type: AC
- Casing material: Plastic
- Backdraft protection: Backdraft damper
- Humidity sensor
- Timer: Turn off timer

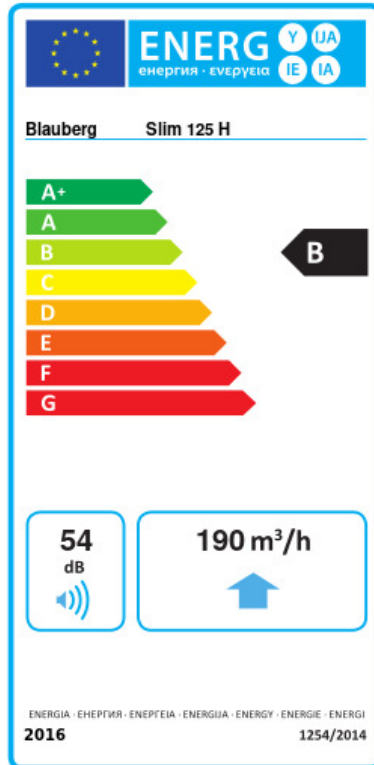
	Unit of measurement	Slim 125 H
Connected air duct size	mm	125
Speed	-	1
Minimum supply voltage	V	220
Maximum supply voltage	V	240
Power supply frequency	Hz	50
Rated power	W	16
Unit current	A	0.1
Maximum airflow	m ³ /h	190
Sound pressure level LpA at 3 m	dB(A)	34
Ambient air temperature min	°C	1
Ambient air temperature max	°C	40
Ingress protection rating	-	IP24

Dimensions

a	c	∅ d	e
176	101	125	13



Ecodesign



Trademark	Blaubeerg					
Model	Slim 125 H					
Specific energy consumption (SEC) (kWh/(m²/a))	Cold	Average	Warm			
	-53.6	A+	-26.6	B	-11.1	E
Type of ventilation unit	Unidirectional					
Type of drive installed	Single speed					
Type of heat recovery system	None					
Maximum flow rate (m³/h)	190					
Electric power input (W)	16					
Reference flow rate (m³/s)	0.037					
Specific power input (SPI) (W/(m³/h))	0.084					
Control typology	Local demand control					
Maximum external leakage rates (%)	2.7					
Declared typology	RVU UVU					
Sound power level (dB(A))	54					
The annual electricity consumption (AEC) (kWh/a)	Cold	Average	Warm			
	69	69	69			
The annual heating saved (AHS) (kWh/a)	Cold	Average	Warm			
	5536	2830	1280			