



Slim 120 T

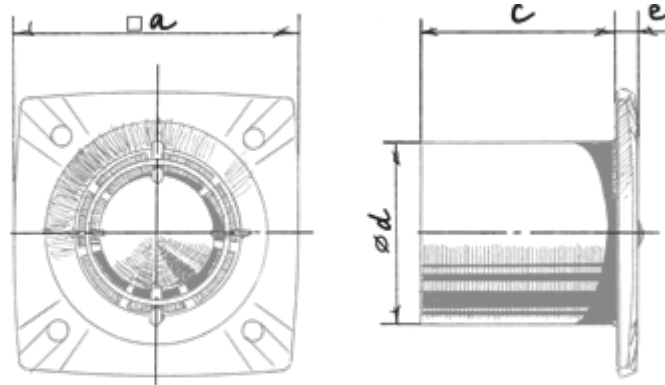
Extract fans

- Maximum airflow: 184
- Sound pressure level LpA at 3 m: 35
- Motor type: AC
- Casing material: Plastic
- Backdraft protection: Backdraft damper
- Timer: Turn off timer

	Unit of measurement	Slim 120 T
Connected air duct size	mm	120
Speed	-	1
Minimum supply voltage	V	220
Maximum supply voltage	V	240
Power supply frequency	Hz	50
Rated power	W	17
Unit current	A	0.1
Maximum airflow	m ³ /h	184
Sound pressure level LpA at 3 m	dB(A)	35
Ambient air temperature min	°C	1
Ambient air temperature max	°C	40
Ingress protection rating	-	IP24

Dimensions

a	c	Ø d	e
176	94	117	13



Ecodesign



Trademark	Blauberg					
Model	Slim 120 T					
Specific energy consumption (SEC) (kWh/(m ² /a))	Cold		Average		Warm	
	-33.9	B	-16	E	-5.7	F
Type of ventilation unit	Unidirectional					
Type of drive installed	Single speed					
Type of heat recovery system	None					
Maximum flow rate (m ³ /h)	184					
Electric power input (W)	17					
Reference flow rate (m ³ /s)	0.036					
Specific power input (SPI) (W/(m ³ /h))	0.092					
Control typology	Clock control					
Maximum external leakage rates (%)	2.7					
Declared typology	RVU UVU					
Sound power level (dB(A))	55					
The annual electricity consumption (AEC) (kWh/a)	Cold	Average		Warm		
	110	110		110		
The annual heating saved (AHS) (kWh/a)	Cold	Average		Warm		
	3667	1874		848		

Accessories

Thyristor speed controllers

Name	Photo	Description
CDT E1.8		Thyristor speed controller