



## Slim 120

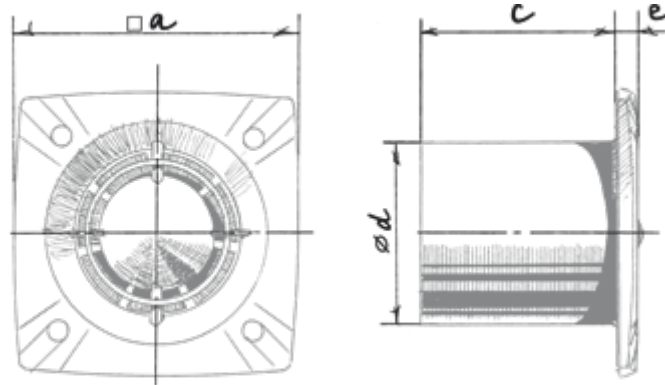
Extract fans

- Maximum airflow: 184
- Sound pressure level LpA at 3 m: 35
- Motor type: AC
- Casing material: Plastic
- Backdraft protection: Backdraft damper

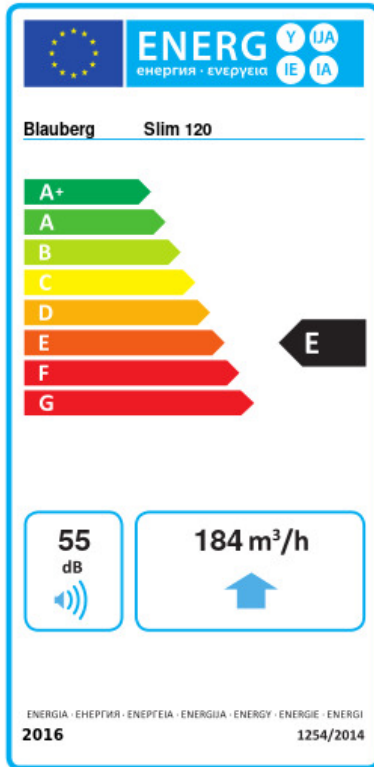
|                                 | Unit of measurement | Slim 120 |
|---------------------------------|---------------------|----------|
| Connected air duct size         | mm                  | 120      |
| Speed                           | -                   | 1        |
| Minimum supply voltage          | V                   | 220      |
| Maximum supply voltage          | V                   | 240      |
| Power supply frequency          | Hz                  | 50       |
| Rated power                     | W                   | 17       |
| Unit current                    | A                   | 0.1      |
| Maximum airflow                 | m <sup>3</sup> /h   | 184      |
| Sound pressure level LpA at 3 m | dB(A)               | 35       |
| Ambient air temperature min     | °C                  | 1        |
| Ambient air temperature max     | °C                  | 40       |
| Ingress protection rating       | -                   | IP24     |

### Dimensions

| a   | c  | Ø d | e  |
|-----|----|-----|----|
| 176 | 94 | 117 | 13 |



## Ecodesign



|   |                |         |       |   |      |   |
|---|----------------|---------|-------|---|------|---|
| Trademark   | Blaubeerg      |         |       |   |      |   |
| Model   | Slim 120       |         |       |   |      |   |
| Specific energy consumption (SEC) (kWh/(m <sup>2</sup> /a)) | Cold           | Average | Warm  |   |      |   |
|   | -30.7          | B       | -14.3 | E | -4.9 | F |
| Type of ventilation unit                                    | Unidirectional |         |       |   |      |   |
| Type of drive installed                                     | Single speed   |         |       |   |      |   |
| Type of heat recovery system                                | None           |         |       |   |      |   |
| Maximum flow rate (m <sup>3</sup> /h)                       | 184            |         |       |   |      |   |
| Electric power input (W)                                    | 17             |         |       |   |      |   |
| Reference flow rate (m <sup>3</sup> /s)                     | 0.036          |         |       |   |      |   |
| Specific power input (SPI) (W/(m <sup>3</sup> /h))          | 0.092          |         |       |   |      |   |
| Control typology  | Manual control |         |       |   |      |   |
| Maximum external leakage rates (%)                          | 2.7            |         |       |   |      |   |
| Declared typology   | RVU UVU        |         |       |   |      |   |
| Sound power level (dB(A))                                   | 55             |         |       |   |      |   |
| The annual electricity consumption (AEC) (kWh/a)            | Cold           | Average | Warm  |   |      |   |
|   | 116            | 116     | 116   |   |      |   |
| The annual heating saved (AHS) (kWh/a)                      | Cold           | Average | Warm  |   |      |   |
|   | 3355           | 1715    | 776   |   |      |   |

## Accessories

### Thyristor speed controllers

| Name                     | Photo | Description                |
|--------------------------|-------|----------------------------|
| <a href="#">CDT E1.8</a> |       | Thyristor speed controller |