



Slim 100 S

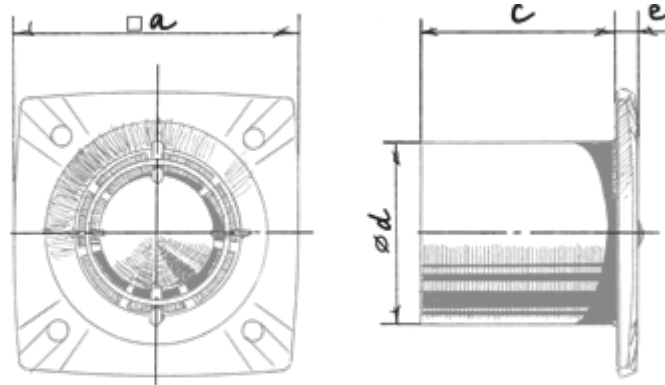
Extract fans

- Maximum airflow: 105
- Sound pressure level LpA at 3 m: 33
- Motor type: AC
- Casing material: Plastic
- Backdraft protection: Backdraft damper
- Pull cord

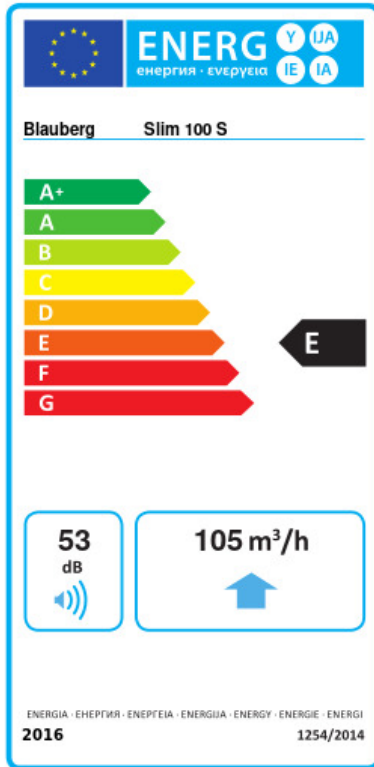
	Unit of measurement	Slim 100 S
Connected air duct size	mm	100
Speed	-	1
Minimum supply voltage	V	220
Maximum supply voltage	V	240
Power supply frequency	Hz	50
Rated power	W	14
Unit current	A	0.085
Maximum airflow	m ³ /h	105
Sound pressure level LpA at 3 m	dB(A)	33
Ambient air temperature min	°C	1
Ambient air temperature max	°C	40
Ingress protection rating	-	IP24

Dimensions

a	c	Ø d	e
150	87	100	13



Ecodesign



Trademark	Blaubeerg					
Model	Slim 100 S					
Specific energy consumption (SEC) (kWh/(m ² /a))	Cold	Average	Warm			
	-29.4	B	-13	E	-3.6	F
Type of ventilation unit	Unidirectional					
Type of drive installed	Single speed					
Type of heat recovery system	None					
Maximum flow rate (m ³ /h)	105					
Electric power input (W)	14					
Reference flow rate (m ³ /s)	0.02					
Specific power input (SPI) (W/(m ³ /h))	0.133					
Control typology	Manual control					
Maximum external leakage rates (%)	2.7					
Declared typology	RVU UVU					
Sound power level (dB(A))	53					
The annual electricity consumption (AEC) (kWh/a)	Cold	Average	Warm			
	167	167	167			
The annual heating saved (AHS) (kWh/a)	Cold	Average	Warm			
	3355	1715	776			

Accessories

Thyristor speed controllers

Name	Photo	Description
CDT E1.8		Thyristor speed controller