



Sileo V2 125

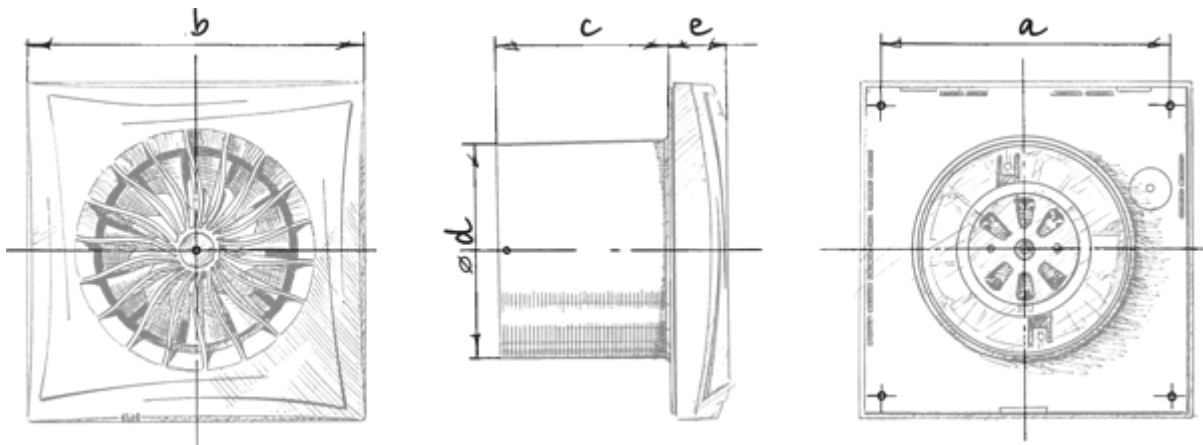
High-performance low noise extract fans

- Maximum airflow: 170
- Sound pressure level LpA at 3 m: 32
- Motor type: AC
- Casing material: Plastic
- Backdraft protection: Backdraft damper

	Unit of measurement	Sileo V2 125	
Connected air duct size	mm	125	
Speed	-	2	
Minimum supply voltage	V	220	
Maximum supply voltage	V	240	
Power supply frequency	Hz	50/60	
Rated power	W	9.5	13.5
Unit current	A	0.065	0.09
Maximum airflow	m ³ /h	145	170
Sound pressure level LpA at 3 m	dB(A)	28	32
Weight	kg	0.78	
Ambient air temperature min	°C	1	
Ambient air temperature max	°C	45	
Ingress protection rating	-	IP45	

Dimensions

a	b	c	∅ d	e
168	182	91	124	27




Ecodesign



Trademark	Blauberg					
Model	Sileo V2 125					
Specific energy consumption (SEC) (kWh/(m ² /a))	Cold		Average		Warm	
	-31.5	B	-15.1	E	-5.7	F
Type of ventilation unit	Unidirectional					
Type of drive installed	2-speed					
Type of heat recovery system	None					
Maximum flow rate (m ³ /h)	170					
Electric power input (W)	13.5					
Reference flow rate (m ³ /s)	0.04					
Specific power input (SPI) (W/(m ³ /h))	0.066					
Control typology	Manual control					
Maximum external leakage rates (%)	2.7					
Declared typology	RVU UVU					
Sound power level (dB(A))	48					
The annual electricity consumption (AEC) (kWh/a)	Cold		Average		Warm	
	82		82		82	
The annual heating saved (AHS) (kWh/a)	Cold		Average		Warm	
	3355		1715		776	

Accessories

Speed control switches

Name	Photo	Description
CDP-2/10		Multi-speed switch