



# Sileo Design V2 100 T

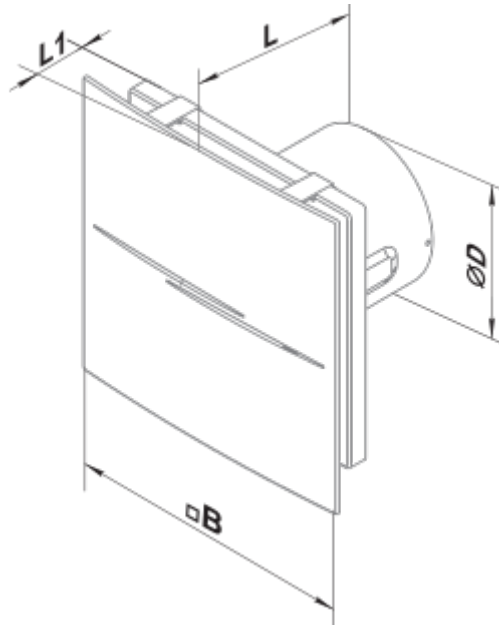
High-performance low noise extract fans

- Maximum airflow: 90
- Sound pressure level LpA at 3 m: 25
- Motor type: AC
- Impeller type: Mixed-flow
- Casing material: Plastic
- Backdraft protection: Backdraft damper
- Timer: Turn on timer, Turn off timer, Internal timer

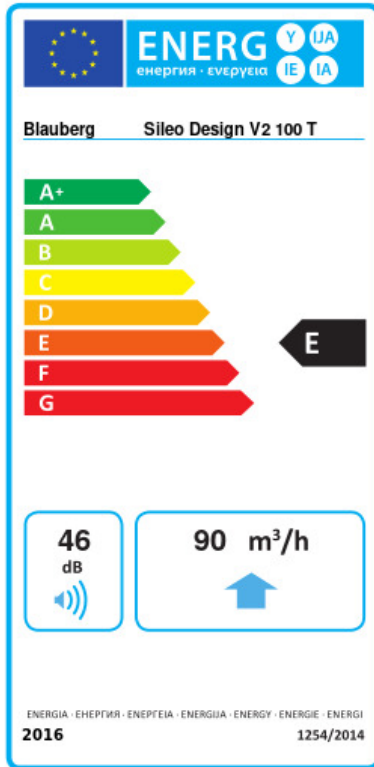
	Unit of measurement	Sileo Design V2 100 T	
Connected air duct size	mm	100	
Speed	-	2	
Minimum supply voltage	V	220	
Maximum supply voltage	V	240	
Power supply frequency	Hz	50	
Rated power	W	4.5	7
Unit current	A	0.029	0.052
Maximum airflow	m <sup>3</sup> /h	60	90
rotation speed at 50hz	-	1850	2400
Sound pressure level LpA at 3 m	dB(A)	22	25
Weight	kg	0.66	
Ambient air temperature min	°C	1	
Ambient air temperature max	°C	40	
Ingress protection rating	-	IP45	

## Dimensions

Ø D	B	L	L1
99	200	130	49



## Ecodesign



Trademark	Blauberg					
Model	Sileo Design V2 100 T					
Specific energy consumption (SEC) (kWh/(m <sup>2</sup> /a))	Cold	Average	Warm			
	30.9	B	14.5	E	5.1	F
Type of ventilation unit	Unidirectional					
Type of drive installed	Single speed					
Type of heat recovery system	None					
Maximum flow rate (m <sup>3</sup> /h)	90					
Electric power input (W)	7.5					
Reference flow rate (m <sup>3</sup> /s)	0.018					
Specific power input (SPI) (W/(m <sup>3</sup> /h))	0.083					
Control typology	Manual control					
Maximum external leakage rates (%)	2.7					
Sound power level (dB(A))	46					
Declared typology	RVU UVU					
The annual electricity consumption (AEC) (kWh/a)	Cold	Average	Warm			
	104	104	104			
The annual heating saved (AHS) (kWh/a)	Cold	Average	Warm			
	3355	1715	776			

## Accessories

### Other accessories

Name	Photo	Description
<a href="#">CDP-2/10</a>		Multi-speed switch