

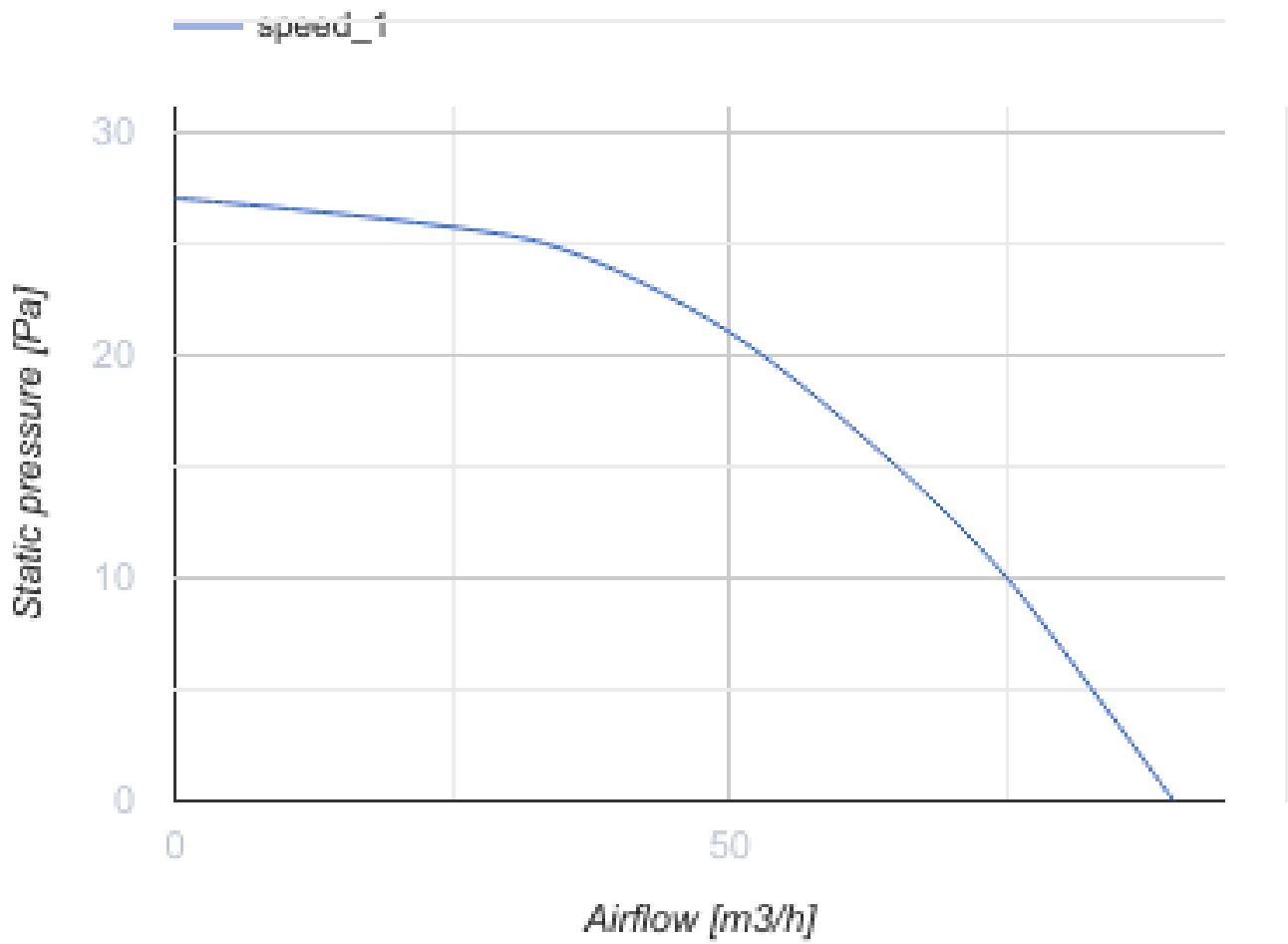


Sileo Design 100 S

High-performance low noise extract fans

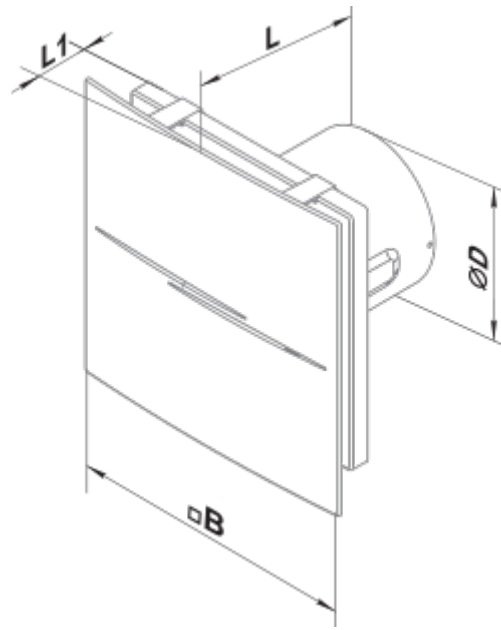
- Maximum airflow: 90
- Sound pressure level LpA at 3 m: 26
- Motor type: AC
- Impeller type: Mixed-flow
- Casing material: Plastic
- Backdraft protection: Backdraft damper
- Pull cord

| | Unit of measurement | Sileo Design 100 S |
|---------------------------------|---------------------|--------------------|
| Connected air duct size | mm | 100 |
| Speed | - | 1 |
| Minimum supply voltage | V | 220 |
| Maximum supply voltage | V | 240 |
| Power supply frequency | Hz | 50 |
| Rated power | W | 7.5 |
| Unit current | A | 0.05 |
| Maximum airflow | m ³ /h | 90 |
| Sound pressure level LpA at 3 m | dB(A) | 26 |
| Weight | kg | 0.66 |
| Ambient air temperature min | °C | 1 |
| Ambient air temperature max | °C | 40 |
| Ingress protection rating | - | IP45 |



Dimensions

| Ø D | B | L | 1 |
|-----|-----|-----|----|
| 99 | 200 | 130 | 49 |



Ecodesign



| | | | | | | |
|---|--------------------|---|---------|---|------|---|
| Trademark | Blauberg | | | | | |
| Model | Sileo Design 100 S | | | | | |
| Specific energy consumption (SEC) (kWh/(m ² /a)) | Cold | | Average | | Warm | |
| | -30.9 | B | -14.5 | E | -5.1 | F |
| Type of ventilation unit | Unidirectional | | | | | |
| Type of drive installed | Single speed | | | | | |
| Type of heat recovery system | None | | | | | |
| Maximum flow rate (m ³ /h) | 90 | | | | | |
| Electric power input (W) | 7.5 | | | | | |
| Reference flow rate (m ³ /s) | 0.018 | | | | | |
| Specific power input (SPI) (W/(m ³ /h)) | 0.083 | | | | | |
| Control typology | Manual control | | | | | |
| Maximum external leakage rates (%) | 2.7 | | | | | |
| Sound power level (dB(A)) | 46 | | | | | |
| Declared typology | RVU UVU | | | | | |
| The annual electricity consumption (AEC) (kWh/a) | Cold | | Average | | Warm | |
| | 104 | | 104 | | 104 | |
| The annual heating saved (AHS) (kWh/a) | Cold | | Average | | Warm | |
| | 3355 | | 1715 | | 776 | |