

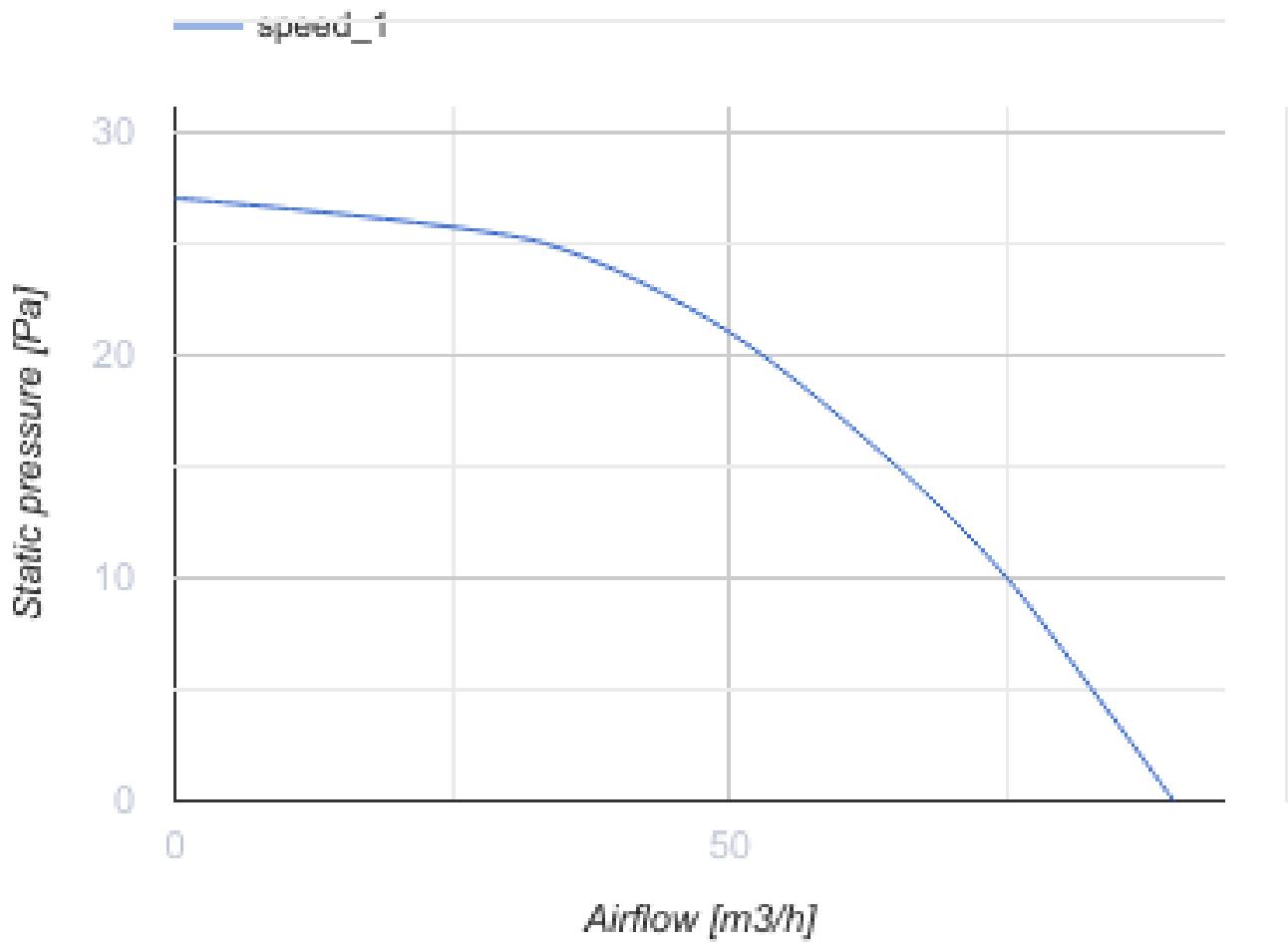


Sileo Design 100 12

High-performance low noise extract fans

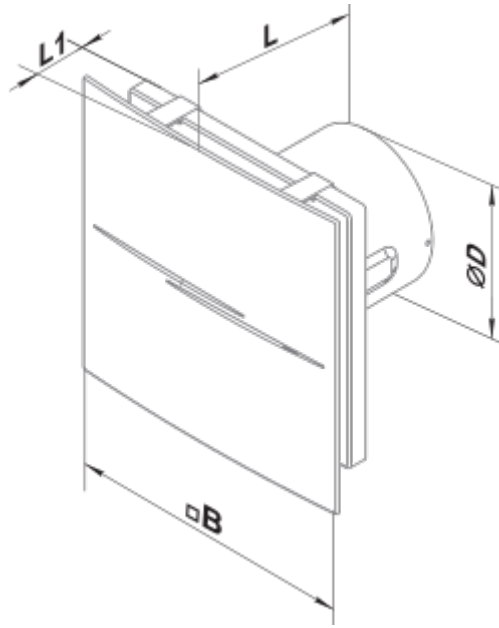
- Maximum airflow: 90
- Sound pressure level LpA at 3 m: 26
- Motor type: AC
- Impeller type: Mixed-flow
- Casing material: Plastic
- Backdraft protection: Backdraft damper

	Unit of measurement	Sileo Design 100 12
Connected air duct size	mm	100
Speed	-	1
Minimum supply voltage	V	12
Maximum supply voltage	V	12
Power supply frequency	Hz	50
Rated power	W	8.5
Unit current	A	1.03
Maximum airflow	m ³ /h	90
rotation speed at 50hz	-	2165
Sound pressure level LpA at 3 m	dB(A)	26
Weight	kg	0.66
Ambient air temperature min	°C	1
Ambient air temperature max	°C	40
Ingress protection rating	-	IP45



Dimensions

Ø D	B	L	L1
99	200	130	49



Ecodesign



Trademark	Blauberg					
Model	Sileo Design 100 12					
Specific energy consumption (SEC) (kWh/(m ² /a))	Cold		Average		Warm	
	-30.6	B	-14.2	E	-4.8	F
Type of ventilation unit	Unidirectional					
Type of drive installed	Single speed					
Type of heat recovery system	None					
Maximum flow rate (m ³ /h)	90					
Electric power input (W)	8.5					
Reference flow rate (m ³ /s)	0.018					
Specific power input (SPI) (W/(m ³ /h))	0.094					
Control typology	Manual control					
Maximum external leakage rates (%)	2.7					
Sound power level (dB(A))	46					
Declared typology	RVU UVU					
The annual electricity consumption (AEC) (kWh/a)	Cold	Average		Warm		
	118	118		118		
The annual heating saved (AHS) (kWh/a)	Cold	Average		Warm		
	3355	1715		776		