



Sileo DC 100 IR

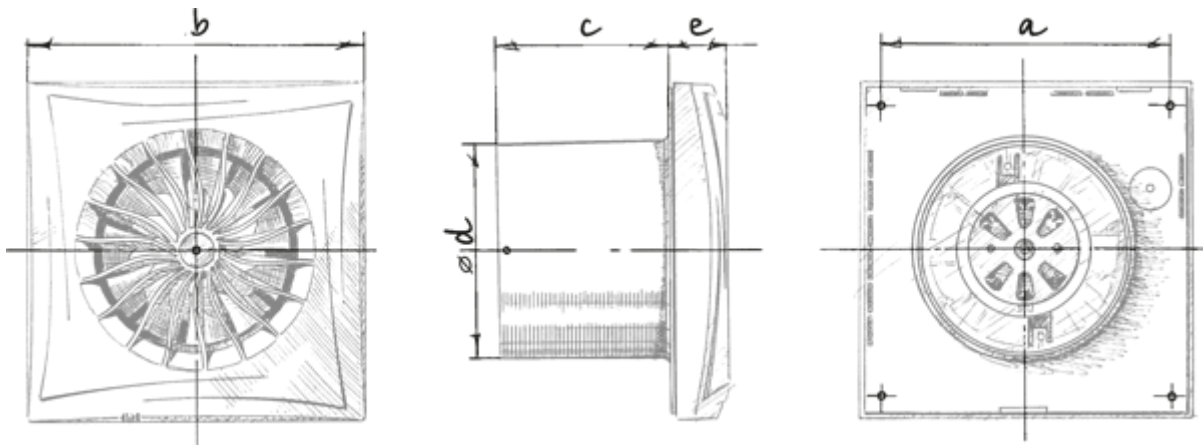
High-performance low noise extract fans with energy-efficient DC motors

- Maximum airflow: 101
- Sound pressure level LpA at 3 m: 27
- Motor type: DC
- Casing material: Plastic
- Backdraft protection: Backdraft damper
- Motion sensor
- Timer: Turn off timer

	Unit of measurement	Sileo DC 100 IR	
Connected air duct size	mm	100	
Speed	-	2	
Minimum supply voltage	V	220	
Maximum supply voltage	V	240	
Power supply frequency	Hz	50/60	
Rated power	W	1.5	3.5
Unit current	A	0.063	0.137
Maximum airflow	m ³ /h	70	101
Sound pressure level LpA at 3 m	dB(A)	22	27
Weight	kg	0.55	
Ambient air temperature min	°C	1	
Ambient air temperature max	°C	40	
Ingress protection rating	-	IP45	

Dimensions

a	b	c	∅ d	e
136	158	81	100	26



Ecodesign



Trademark	Blauberg					
Model	Sileo DC 100 IR					
Specific energy consumption (SEC) (kWh/(m ² /a))	Cold		Average		Warm	
	-55	A+	-27.9	B	-12.4	E
Type of ventilation unit	Unidirectional					
Type of drive installed	2-speed					
Type of heat recovery system	None					
Maximum flow rate (m ³ /h)	101					
Electric power input (W)	3.5					
Reference flow rate (m ³ /s)	0.019					
Specific power input (SPI) (W/(m ³ /h))	0.021					
Control typology	Local demand control					
Maximum external leakage rates (%)	2.7					
Declared typology	RVU UVU					
Sound power level (dB(A))	47					
The annual electricity consumption (AEC) (kWh/a)	Cold		Average		Warm	
	16		16		16	
The annual heating saved (AHS) (kWh/a)	Cold		Average		Warm	
	5536		2830		1280	