



Sileo 150 IR

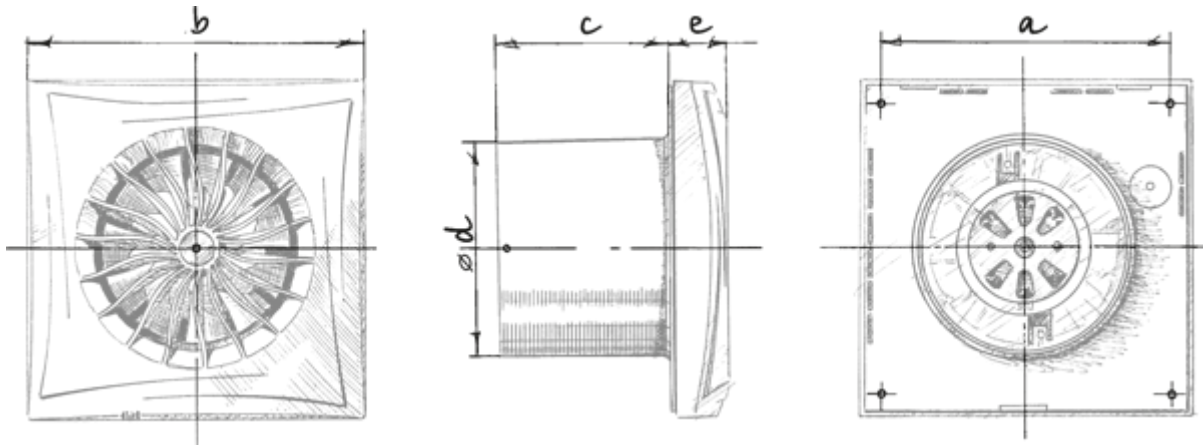
High-performance low noise extract fans

- Maximum airflow: 315
- Sound pressure level LpA at 3 m: 33
- Motor type: AC
- Casing material: Plastic
- Backdraft protection: Backdraft damper
- Motion sensor
- Timer: Turn off timer

| | Unit of measurement | Sileo 150 IR | |
|---------------------------------|---------------------|--------------|------|
| Connected air duct size | mm | 150 | |
| Speed | - | 2 | |
| Minimum supply voltage | V | 220 | |
| Maximum supply voltage | V | 240 | |
| Power supply frequency | Hz | 50/60 | |
| Rated power | W | 17 | 19 |
| Unit current | A | 0.08 | 0.09 |
| Maximum airflow | m ³ /h | 220 | 315 |
| Sound pressure level LpA at 3 m | dB(A) | 28 | 33 |
| Weight | kg | 1.33 | |
| Ambient air temperature min | °C | 1 | |
| Ambient air temperature max | °C | 40 | |
| Ingress protection rating | - | IP45 | |

Dimensions

| a | b | c | ∅ d | e |
|-----|-----|----|-----|----|
| 190 | 214 | 98 | 148 | 32 |




Ecodesign



| | | | | | | |
|---|----------------------|----|---------|---|------|---|
| Trademark | Blauberg | | | | | |
| Model | Sileo 150 IR | | | | | |
| Specific energy consumption (SEC) (kWh/(m ² /a)) | Cold | | Average | | Warm | |
| | 53.9 | A+ | 26.9 | B | 11.4 | E |
| Type of ventilation unit | Unidirectional | | | | | |
| Type of drive installed | 2-speed | | | | | |
| Type of heat recovery system | None | | | | | |
| Maximum flow rate (m ³ /h) | 315 | | | | | |
| Electric power input (W) | 19 | | | | | |
| Reference flow rate (m ³ /s) | 0.061 | | | | | |
| Specific power input (SPI) (W/(m ³ /h)) | 0.077 | | | | | |
| Control typology | Local demand control | | | | | |
| Maximum external leakage rates (%) | 2.7 | | | | | |
| Sound power level (dB(A)) | 48 | | | | | |
| Declared typology | RVU UVU | | | | | |
| The annual electricity consumption (AEC) (kWh/a) | Cold | | Average | | Warm | |
| | 58 | | 58 | | 58 | |
| The annual heating saved (AHS) (kWh/a) | Cold | | Average | | Warm | |
| | 5536 | | 2830 | | 1280 | |

Accessories

Other accessories

| Name | Photo | Description |
|--------------------------|---|----------------------------|
| CDT E1.8 |  | Thyristor speed controller |