

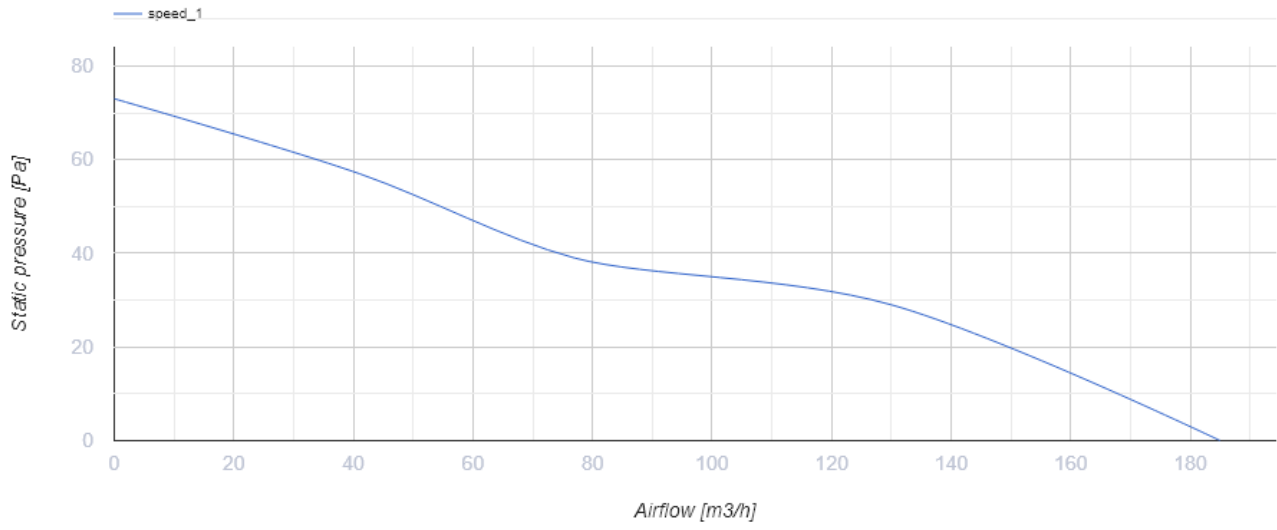


Sileo 125 IR

High-performance low noise extract fans

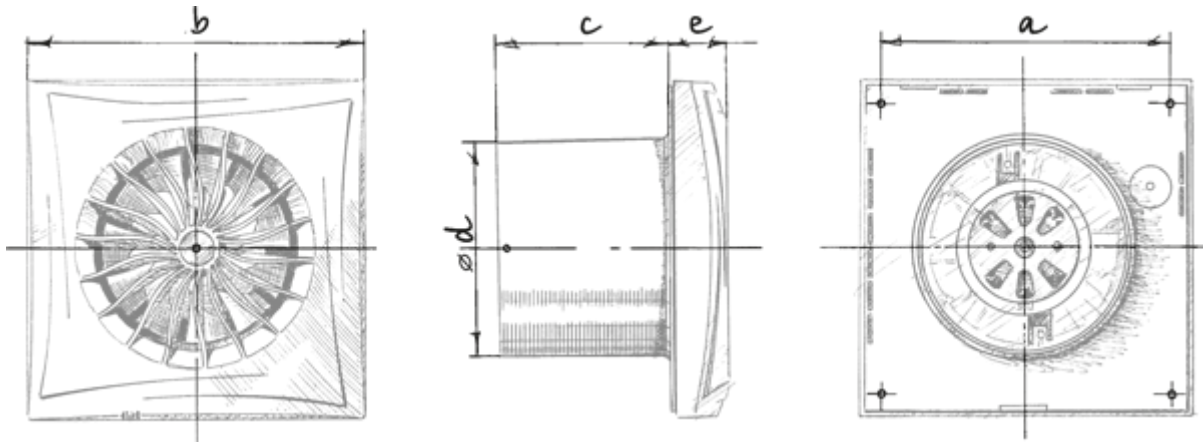
- Maximum airflow: 185
- Sound pressure level LpA at 3 m: 32
- Motor type: AC
- Casing material: Plastic
- Backdraft protection: Backdraft damper
- Motion sensor
- Timer: Turn off timer

	Unit of measurement	Sileo 125 IR
Connected air duct size	mm	125
Speed	-	1
Minimum supply voltage	V	220
Maximum supply voltage	V	240
Power supply frequency	Hz	50
Rated power	W	17
Unit current	A	0.11
Maximum airflow	m ³ /h	185
Sound pressure level LpA at 3 m	dB(A)	32
Weight	kg	0.78
Ambient air temperature min	°C	1
Ambient air temperature max	°C	40
Ingress protection rating	-	IP45

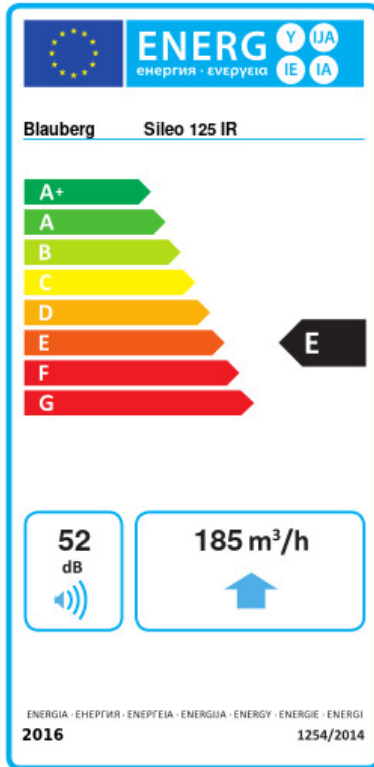


Dimensions

a	b	c	∅ d	e
158	182	91	124	27



Ecodesign



Trademark	Blaubeerg					
Model	Sileo 125 IR					
Specific energy consumption (SEC) (kWh/(m ² /a))	Cold	Average	Warm			
	30.7	B	14.3	E	4.9	F
Type of ventilation unit	Unidirectional					
Type of drive installed	Single speed					
Type of heat recovery system	None					
Maximum flow rate (m ³ /h)	185					
Electric power input (W)	17					
Reference flow rate (m ³ /s)	0.036					
Specific power input (SPI) (W/(m ³ /h))	0.092					
Control typology	Manual control					
Maximum external leakage rates (%)	2.7					
Sound power level (dB(A))	52					
Declared typology	RVU UVU					
The annual electricity consumption (AEC) (kWh/a)	Cold	Average	Warm			
	115	115	115			
The annual heating saved (AHS) (kWh/a)	Cold	Average	Warm			
	3355	1715	776			

Accessories

Other accessories

Name	Photo	Description
CDT E1.8		Thyristor speed controller