

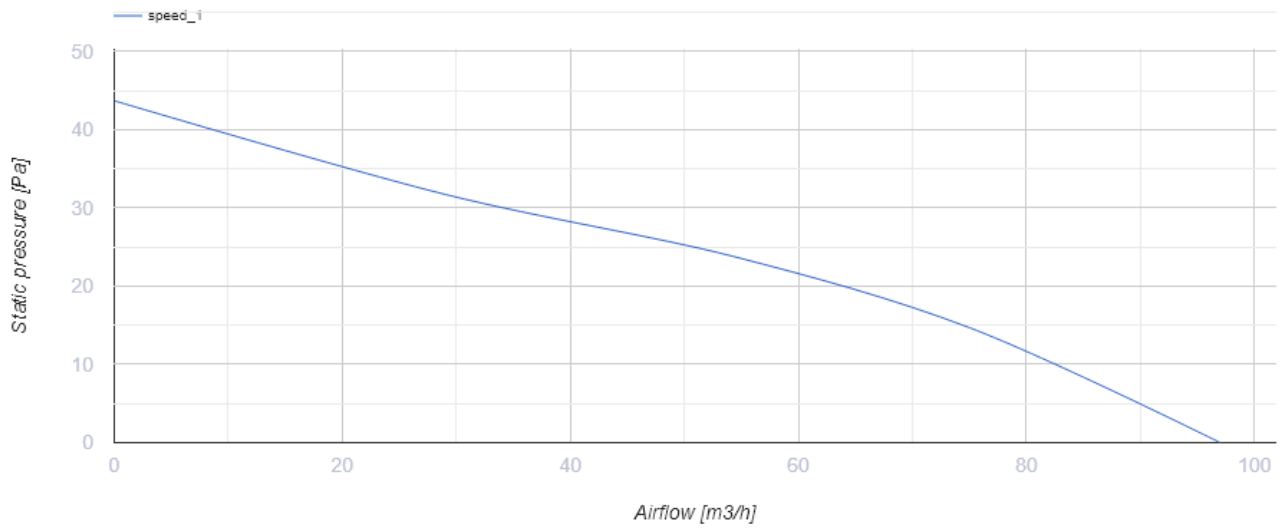


## Sileo 100 TR

High-performance low noise extract fans

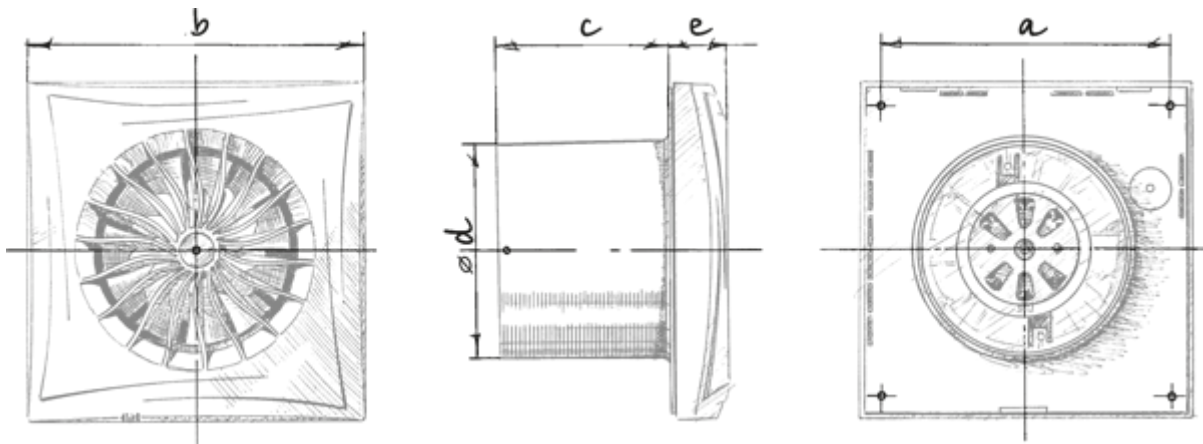
- Maximum airflow: 97
- Sound pressure level LpA at 3 m: 25
- Motor type: AC
- Casing material: Plastic
- Backdraft protection: Backdraft damper
- Timer: Turn off timer, Turn on timer

|                                 | Unit of measurement | Sileo 100 TR |
|---------------------------------|---------------------|--------------|
| Connected air duct size         | mm                  | 100          |
| Speed                           | -                   | 1            |
| Minimum supply voltage          | V                   | 220          |
| Maximum supply voltage          | V                   | 240          |
| Power supply frequency          | Hz                  | 50           |
| Rated power                     | W                   | 7.5          |
| Unit current                    | A                   | 0.049        |
| Maximum airflow                 | m <sup>3</sup> /h   | 97           |
| Sound pressure level LpA at 3 m | dB(A)               | 25           |
| Weight                          | kg                  | 0.55         |
| Ambient air temperature min     | °C                  | 1            |
| Ambient air temperature max     | °C                  | 40           |
| Ingress protection rating       | -                   | IP45         |



## Dimensions

| a   | b   | c  | ∅ d | e  |
|-----|-----|----|-----|----|
| 136 | 158 | 81 | 100 | 26 |



## Ecodesign



|   |                |         |      |      |     |   |
|---|----------------|---------|------|------|-----|---|
| Trademark   | Blauberg       |         |      |      |     |   |
| Model   | Sileo 100 TR   |         |      |      |     |   |
| Specific energy consumption (SEC) (kWh/(m <sup>2</sup> /a)) | Cold           | Average |      | Warm |     |   |
|   | 34.4           | A       | 16.4 | E    | 6.2 | F |
| Type of ventilation unit                                    | Unidirectional |         |      |      |     |   |
| Type of drive installed                                     | Single speed   |         |      |      |     |   |
| Type of heat recovery system                                | None           |         |      |      |     |   |
| Maximum flow rate (m <sup>3</sup> /h)                       | 97             |         |      |      |     |   |
| Electric power input (W)                                    | 7.5            |         |      |      |     |   |
| Reference flow rate (m <sup>3</sup> /s)                     | 0.019          |         |      |      |     |   |
| Specific power input (SPI) (W/(m <sup>3</sup> /h))          | 0.077          |         |      |      |     |   |
| Control typology  | Clock control  |         |      |      |     |   |
| Maximum external leakage rates (%)                          | 2.7            |         |      |      |     |   |
| Sound power level (dB(A))                                   | 45             |         |      |      |     |   |
| Declared typology   | RVU UVU        |         |      |      |     |   |
| The annual electricity consumption (AEC) (kWh/a)            | Cold           | Average |      | Warm |     |   |
|   | 92             | 92      |      | 92   |     |   |
| The annual heating saved (AHS) (kWh/a)                      | Cold           | Average |      | Warm |     |   |
|   | 3667           | 1874    |      | 848  |     |   |

## Accessories

### Thyristor speed controllers

| Name                     | Photo   | Description                |
|--------------------------|---|----------------------------|
| <a href="#">CDT E1.8</a> |  | Thyristor speed controller |