



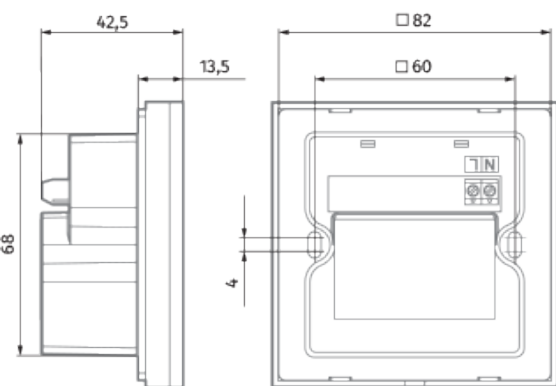
# S22

Control panels

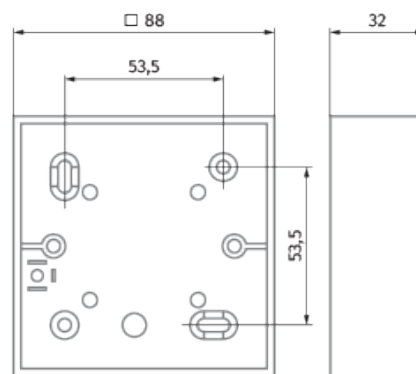
- Casing material: Plastic

	Unit of measurement	S22
Minimum supply voltage	V	24
Maximum supply voltage	V	24
Ambient air temperature min	°C	10
Ambient air temperature max	°C	45
Ingress protection rating	-	IP40
Article	-	8061639

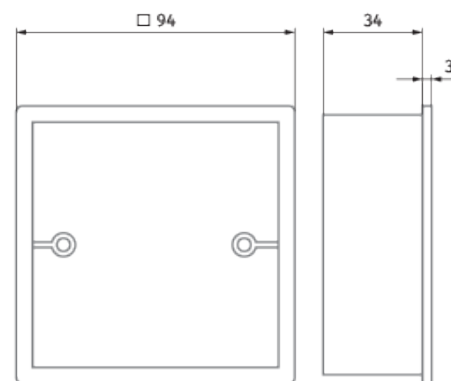
## Dimensions



S22 / S22 Wi-Fi control panel



Surface mounting box



Flush mounting box