



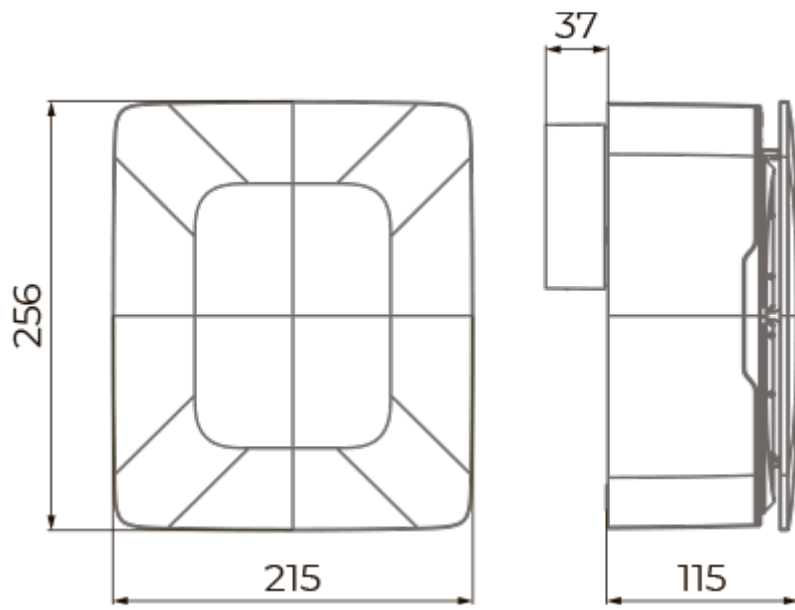
Qubit-E 55/110 IR

High-pressure extract centrifugal Qubit fans for air duct systems of high durability

- Maximum airflow: 110
- Sound pressure level LpA at 3 m: 36
- Casing material: ABS Plastic
- Backdraft protection: Backdraft damper
- Motion sensor
- Timer: Turn on timer, Turn off timer, Internal timer

	Unit of measurement	Qubit-E 55/110 IR	
Connected air duct size	mm	100	
Speed	-	2	
Minimum supply voltage	V	220	
Maximum supply voltage	V	240	
Power supply frequency	Hz	50	
Rated power	W	11	26
Unit current	A	0.081	0.116
Maximum airflow	m ³ /h	55	110
Sound pressure level LpA at 3 m	dB(A)	20	36
Ambient air temperature min	°C	1	
Ambient air temperature max	°C	40	
Ingress protection rating	-	IP45	

Dimensions




Ecodesign



Trademark	Blauberg					
Model	Qubit-E 55/110 IR					
Specific energy consumption (SEC) (kWh/(m ² /a))	Cold		Average		Warm	
	49.9	A+	22.8	D	7.3	F
Type of ventilation unit	Unidirectional					
Type of drive installed	2-speed					
Type of heat recovery system	None					
Maximum flow rate (m ³ /h)	72					
Electric power input (W)	23					
Reference flow rate (m ³ /s)	0.01					
Reference pressure difference (Pa)	50					
Specific power input (SPI) (W/(m ³ /h))	0.292					
Control typology	Local demand control					
Maximum external leakage rates (%)	2.7					
Sound power level (dB(A))	40					
Declared typology	RVU UVU					
The annual electricity consumption (AEC) (kWh/a)	Cold	Average		Warm		
	218	218		218		
The annual heating saved (AHS) (kWh/a)	Cold	Average		Warm		
	5536	2830		1280		

Accessories

Other accessories

Name	Photo	Description
CDP-2/5		Multi-speed switch