



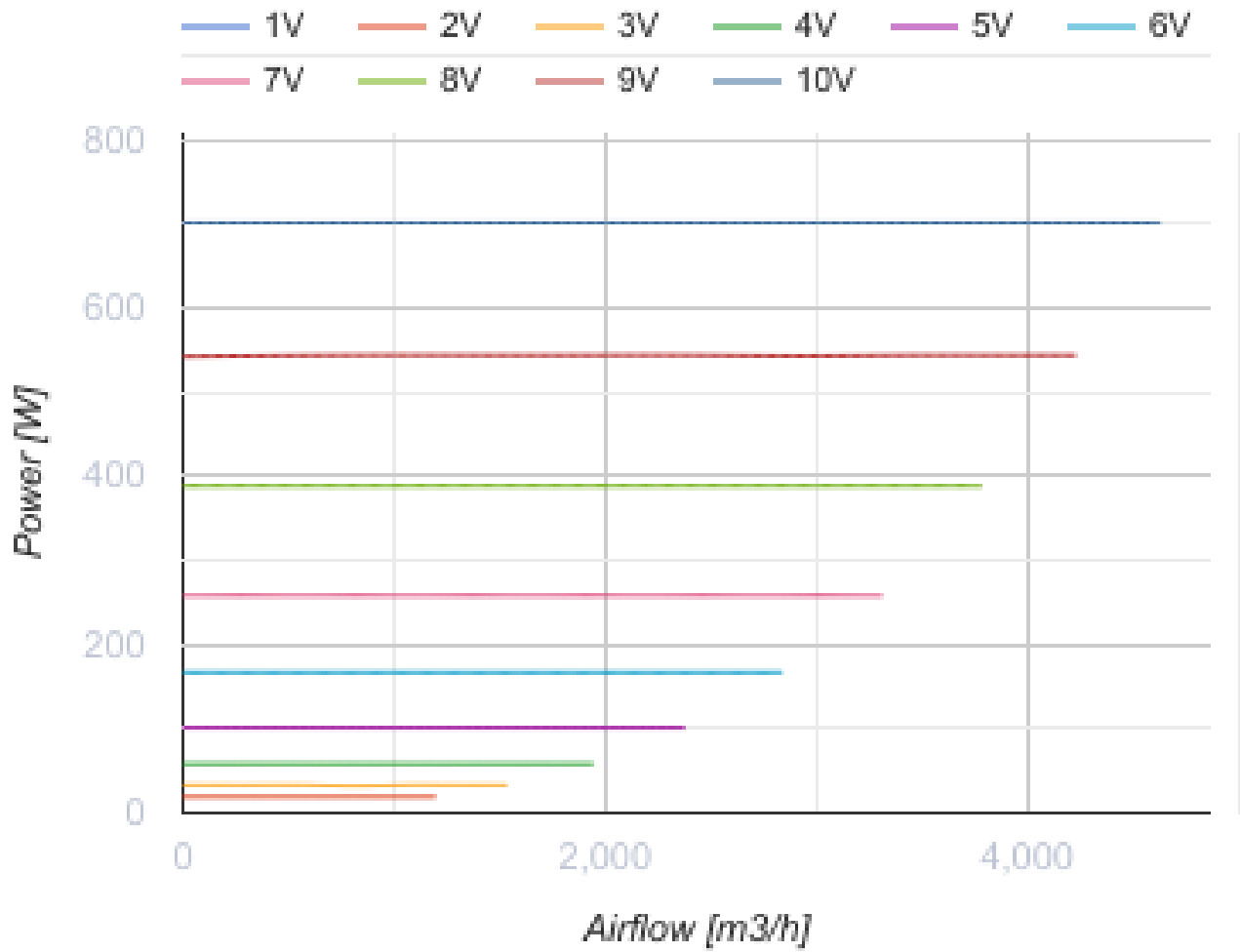
# Primo EC 355 max

Inline mixed flow fans with EC motors

- Maximum airflow: 4630
- Sound pressure level LpA at 3 m: 60
- Motor type: EC
- Impeller type: Mixed-flow
- Casing material: Plastic
- Installation in any position

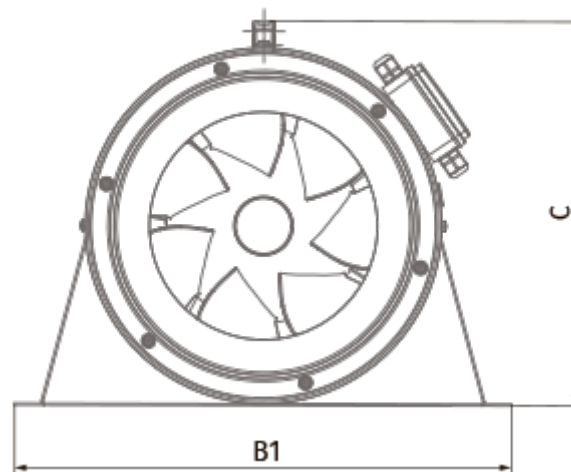
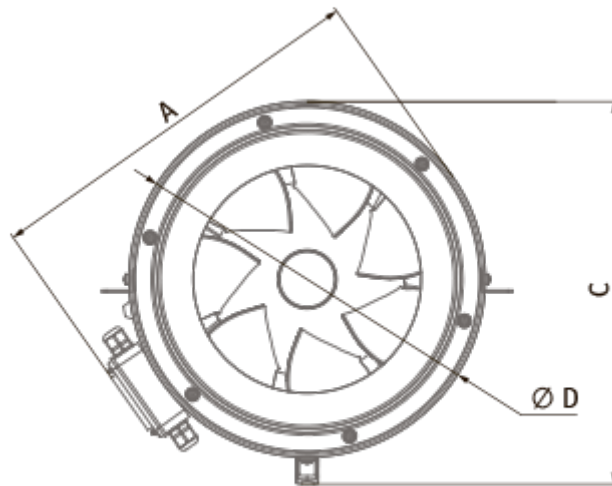
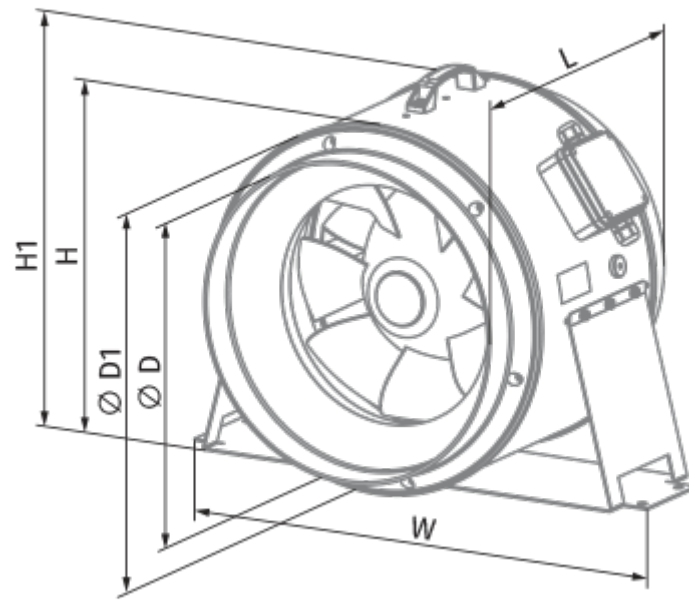
|  | Unit of measurement | Primo EC 355 max |
|--|---------------------|------------------|
| Connected air duct size                | mm                  | 355              |
| Speed                                  | -                   | 1                |
| Phases                                 | -                   | 1                |
| Minimum supply voltage                 | V                   | 230              |
| Maximum supply voltage                 | V                   | 230              |
| Power supply frequency                 | Hz                  | 50/60            |
| Rated power                            | W                   | 701              |
| Unit current                           | A                   | 3.1              |
| Maximum airflow                        | m <sup>3</sup> /h   | 4630             |
| Sound pressure level LpA at 3 m        | dB(A)               | 60               |
| Weight                                 | kg                  | 15               |
| Transported air temperature (max)      | °C                  | 55               |
| Transported air temperature (min)      | °C                  | -25              |
| Ingress protection rating              | -                   | IPX4             |
| Ingress protection rating of the drive | -                   | IP44             |

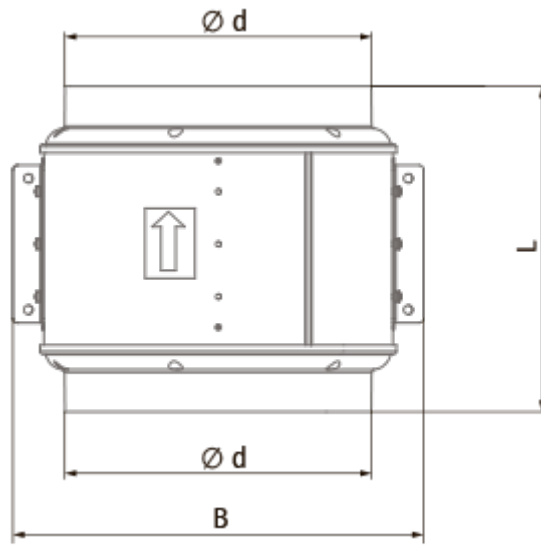




## Dimensions

| ØD  | Ø d | A   | L   | B   | B1  | C   | C1  |
|-----|-----|-----|-----|-----|-----|-----|-----|
| 406 | 350 | 451 | 372 | 468 | 566 | 437 | 439 |





## Ecodesign

|                                       |                  |
|---------------------------------------|------------------|
| Trademark                             | Blauberg         |
| Model                                 | Primo EC 355 max |
| Type of ventilation unit              | Unidirectional   |
| Type of drive installed               | Integrated VSD   |
| Type of heat recovery system          | None             |
| Nominal flow rate (m <sup>3</sup> /s) | 0.997            |
| Nominal external pressure (Pa)        | 300              |
| Maximum external leakage rates (%)    | 2.7              |
| Static efficiency (%)                 | 47.8             |
| Declared typology                     | NRVU UVU         |
| Sound power level (dB(A))             | 80               |
| Effective electric power input (kW)   | 0.701            |

## Accessories

### EC motors regulators

| Name                       | Photo   | Description                 |
|----------------------------|---|-----------------------------|
| <a href="#">CDT E/0-10</a> |  | Speed control for EC motors |