

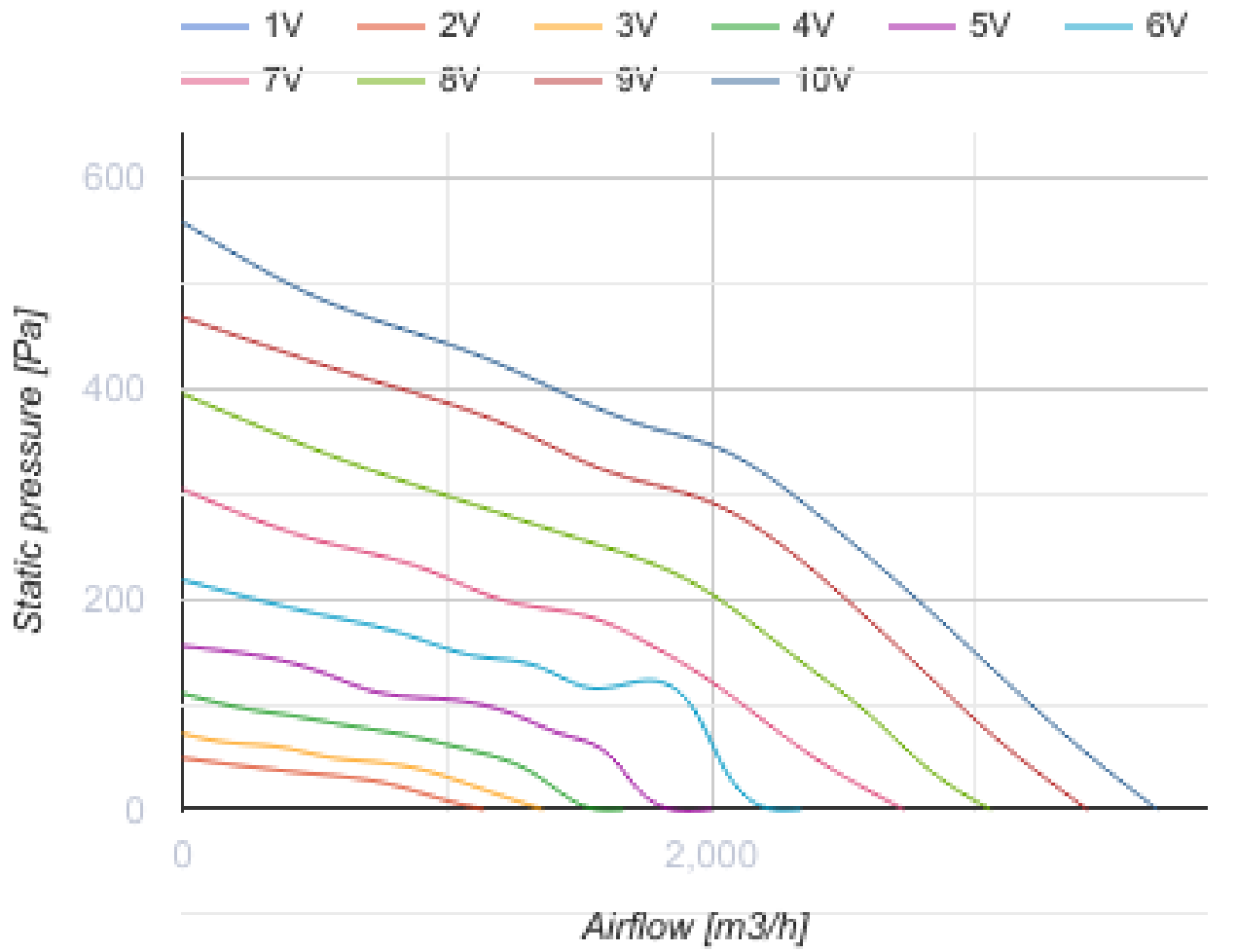


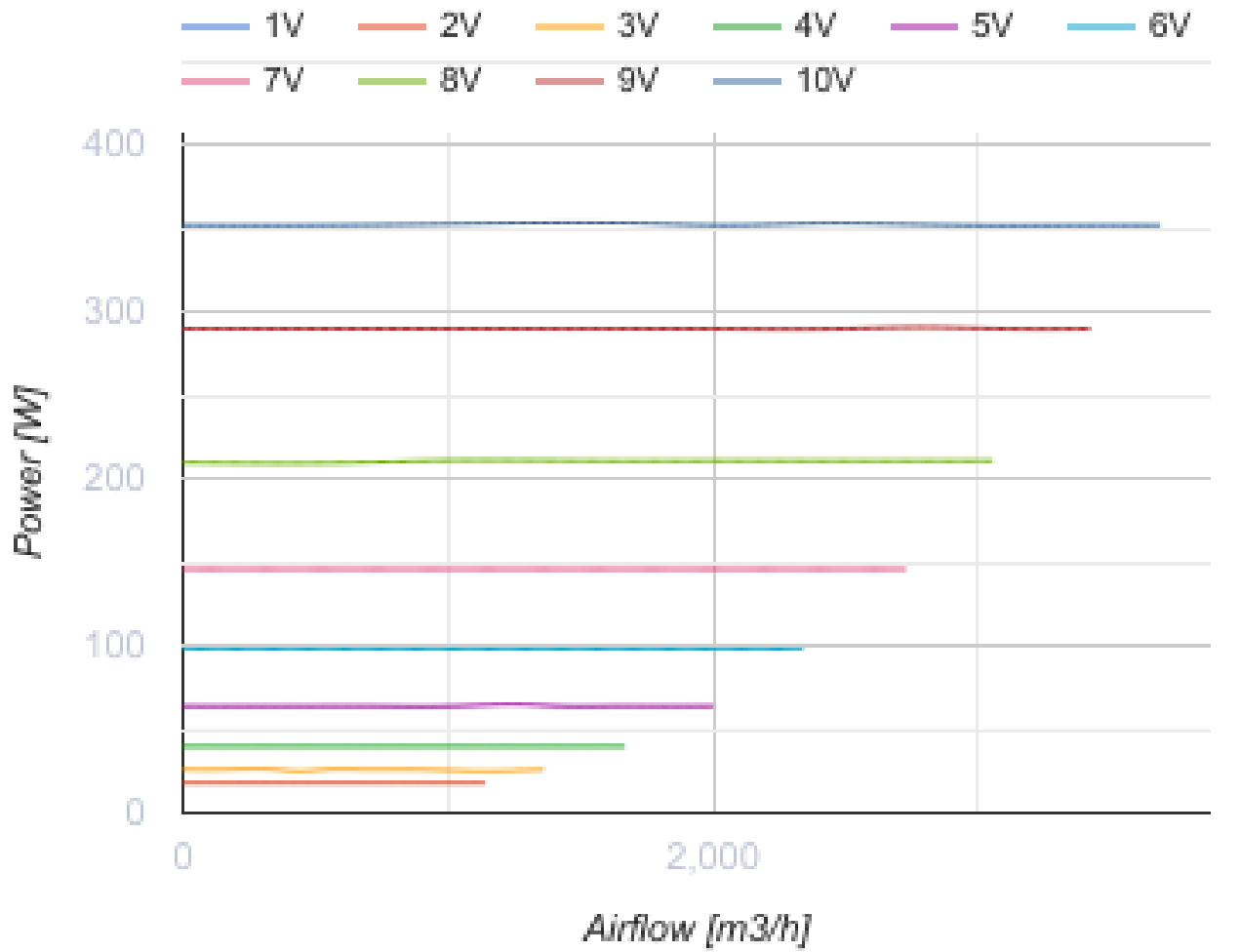
Primo EC 355

Inline mixed flow fans with EC motors

- Maximum airflow: 3685
- Sound pressure level LpA at 3 m: 55
- Motor type: EC
- Impeller type: Mixed-flow
- Casing material: Plastic
- Installation in any position

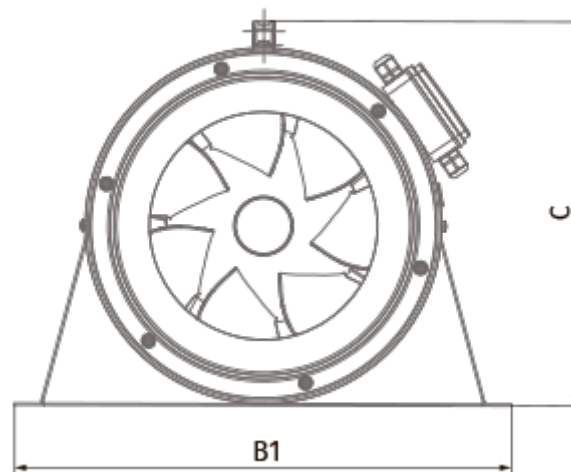
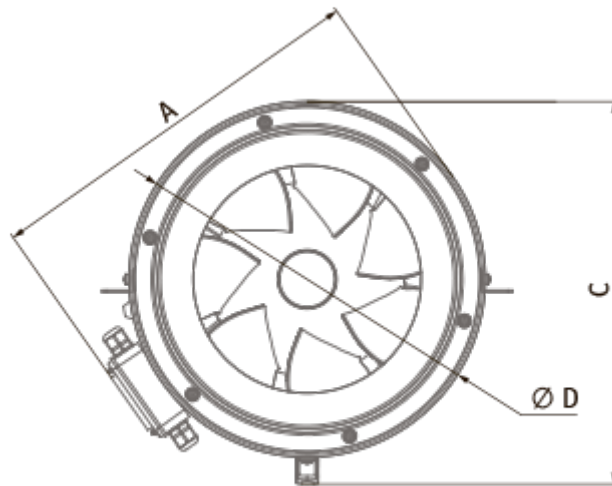
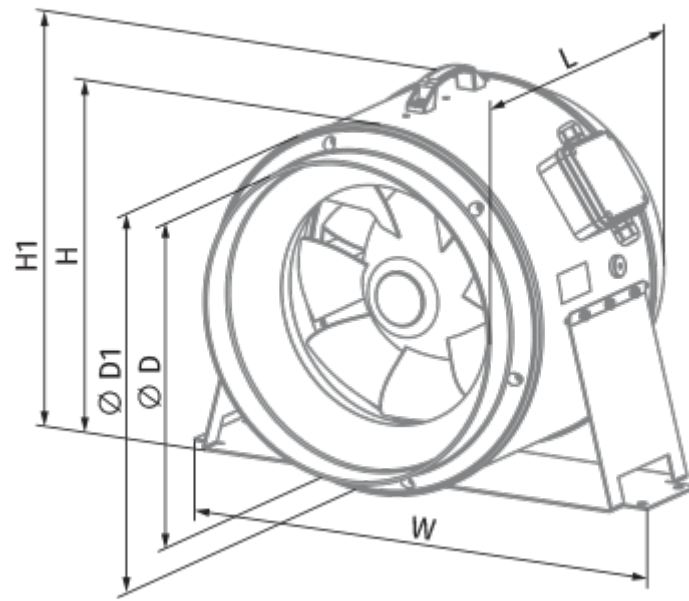
	Unit of measurement	Primo EC 355
Connected air duct size	mm	355
Speed	-	1
Phases	-	1
Minimum supply voltage	V	230
Maximum supply voltage	V	230
Power supply frequency	Hz	50/60
Rated power	W	353
Unit current	A	1.56
Maximum airflow	m ³ /h	3685
Sound pressure level LpA at 3 m	dB(A)	55
Weight	kg	15
Transported air temperature (max)	°C	55
Transported air temperature (min)	°C	-25
Ingress protection rating	-	IPX4
Ingress protection rating of the drive	-	IP44

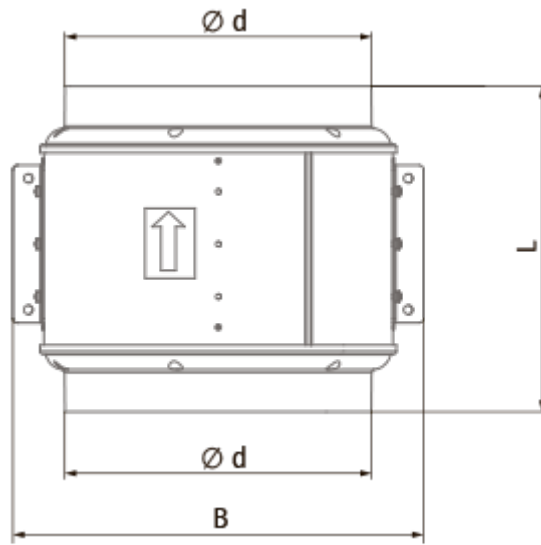




Dimensions

ØD	Ø d	A	L	B	B1	C	C1
406	350	451	372	468	566	437	439






Ecodesign

Trademark	Blauberg
Model	Primo EC 355
Type of ventilation unit	Unidirectional
Type of drive installed	Integrated VSD
Type of heat recovery system	None
Nominal flow rate (m ³ /s)	0.772
Nominal external pressure (Pa)	200
Maximum external leakage rates (%)	2.7
Static efficiency (%)	51
Declared typology	NRVU UVU
Sound power level (dB(A))	75
Effective electric power input (kW)	0.346

Accessories

EC motors regulators

Name	Photo	Description
CDT E/0-10		Speed control for EC motors