

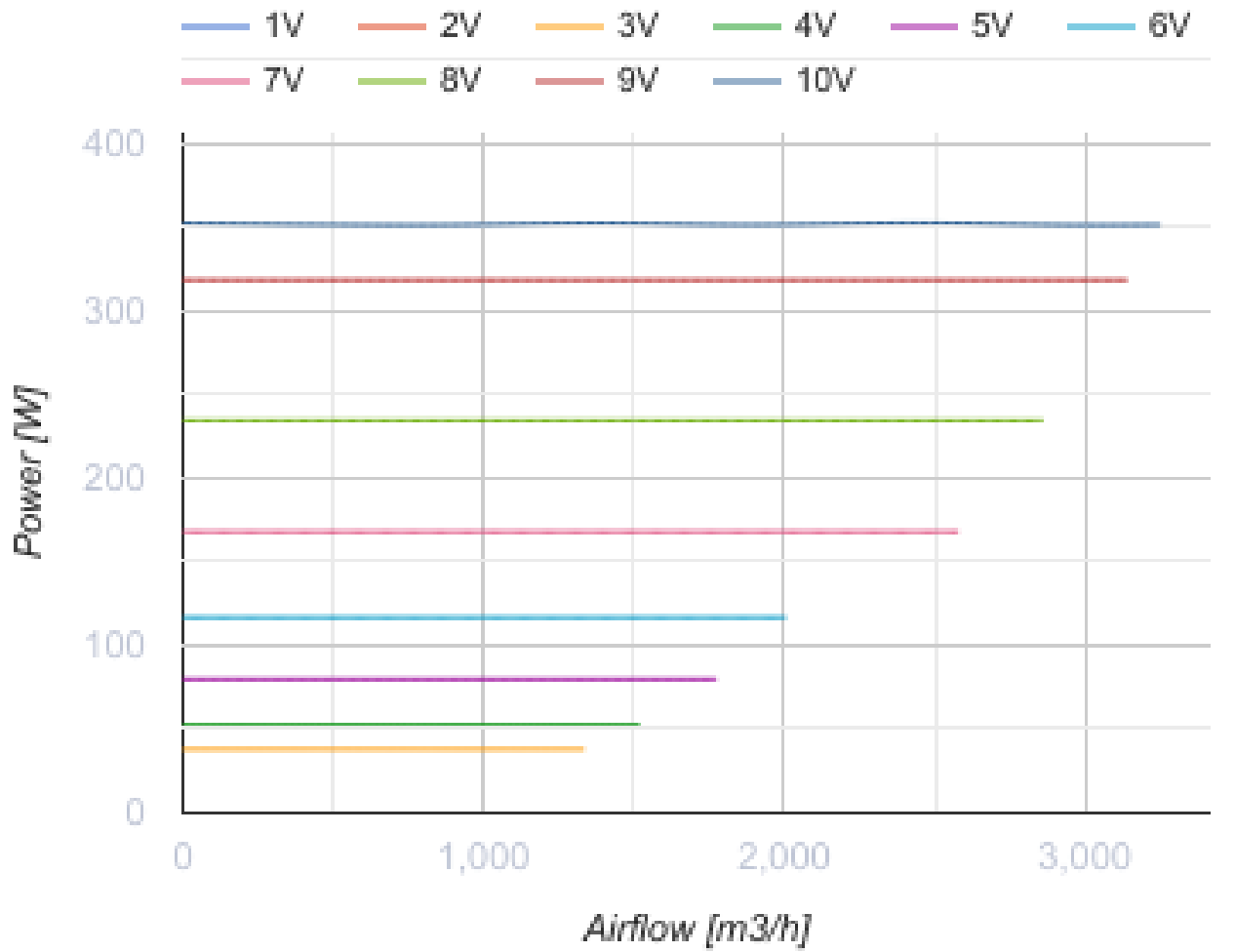


Primo EC 315 max

Inline mixed flow fans with EC motors

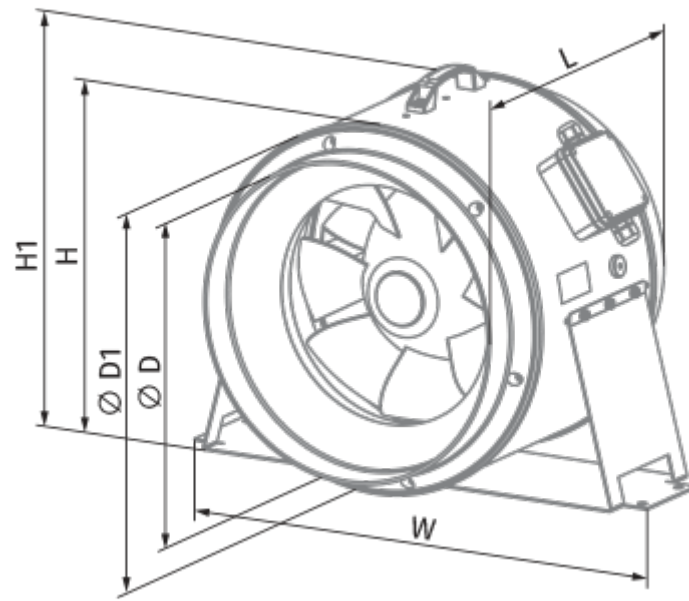
- Maximum airflow: 3250
- Sound pressure level LpA at 3 m: 55
- Motor type: EC
- Impeller type: Mixed
- Casing material: Plastic
- Installation in any position

	Unit of measurement	Primo EC 315 max
Connected air duct size	mm	315
Speed	-	1
Minimum supply voltage	V	230
Maximum supply voltage	V	230
Power supply frequency	Hz	50/60
Rated power	W	353
Unit current	A	1.56
Maximum airflow	m ³ /h	3250
Sound pressure level LpA at 3 m	dB(A)	55
Transported air temperature (max)	°C	55
Transported air temperature (min)	°C	-25
Ingress protection rating	-	IPX4
Ingress protection rating of the drive	-	IP44



Dimensions

ØD	ØD1	H	H1	L	W
315	406	408	439	372	566




Ecodesign

Trademark	Blauberg
Model	Primo EC 315 max
Type of ventilation unit	Unidirectional
Type of drive installed	Integrated VSD
Type of heat recovery system	None
Nominal flow rate (m ³ /s)	0.522
Nominal external pressure (Pa)	380
Maximum external leakage rates (%)	2.7
Static efficiency (%)	57.5
Declared typology	NRVU UVU
Sound power level (dB(A))	75
Effective electric power input (kW)	0.352

Accessories

Other accessories

Name	Photo	Description
CDT E/0-10		Speed control for EC motors