

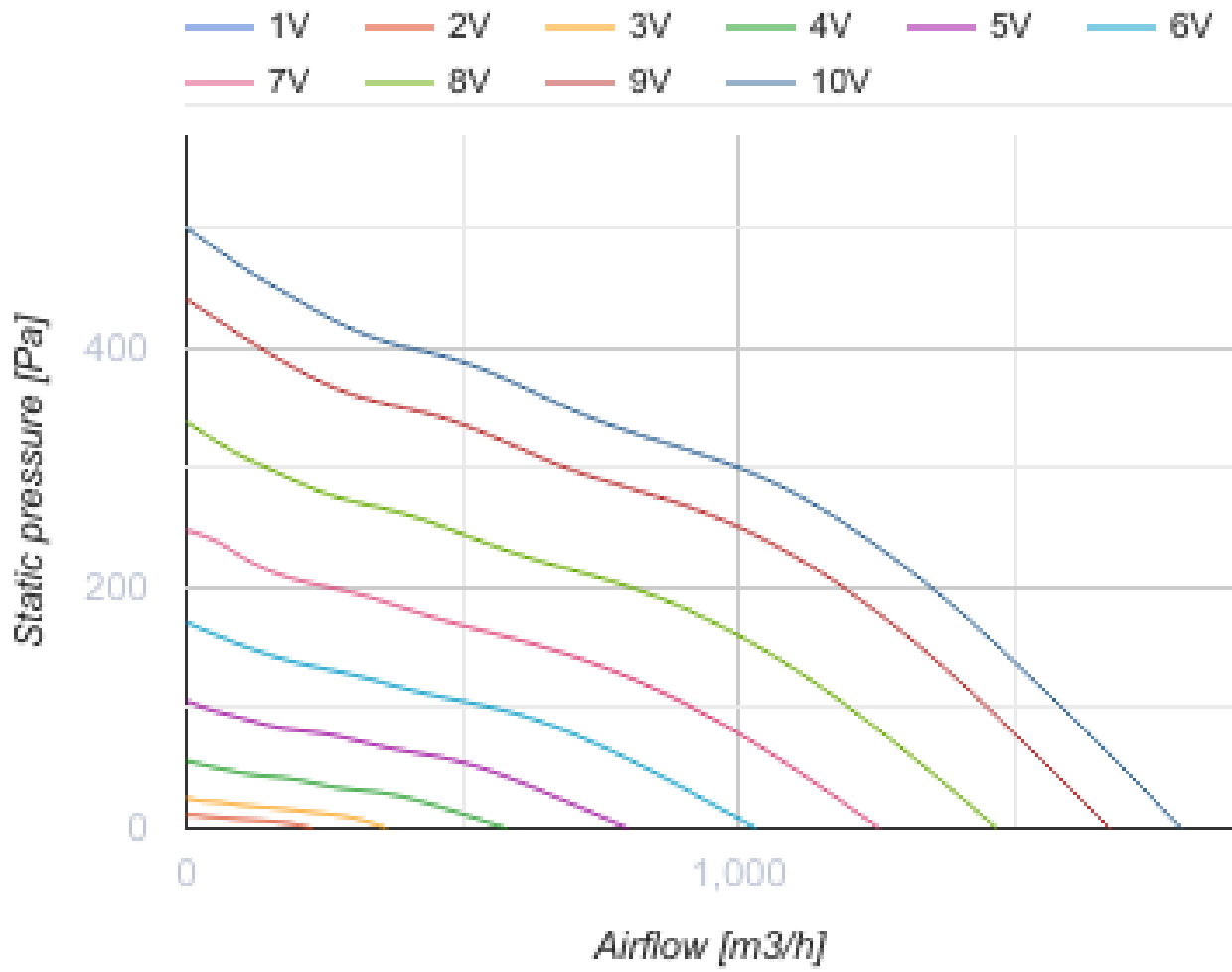


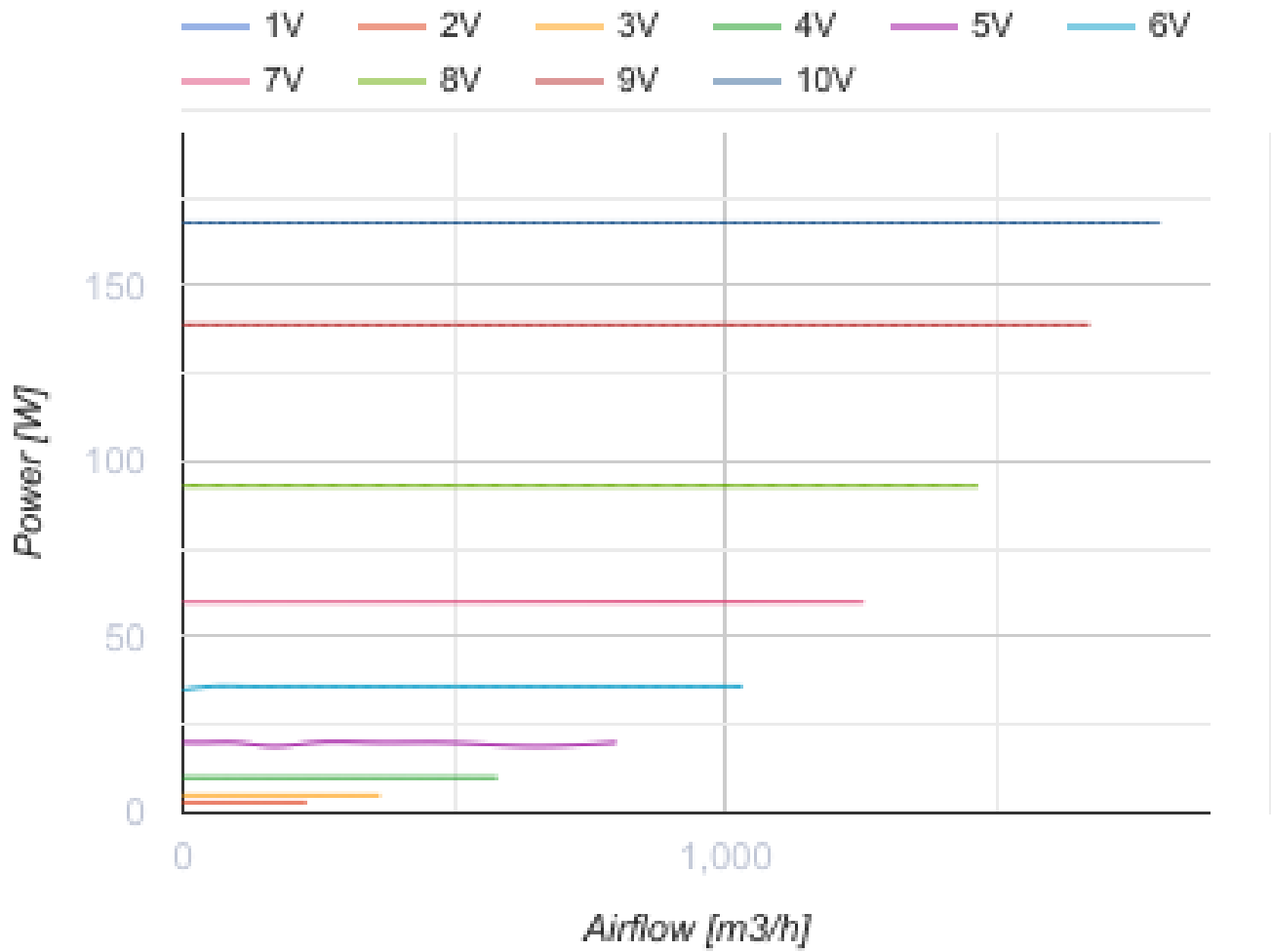
## Primo EC 250

Inline mixed flow fans with EC motors

- Maximum airflow: 1800
- Sound pressure level LpA at 3 m: 49
- Motor type: EC
- Impeller type: Mixed
- Casing material: Plastic
- Installation in any position

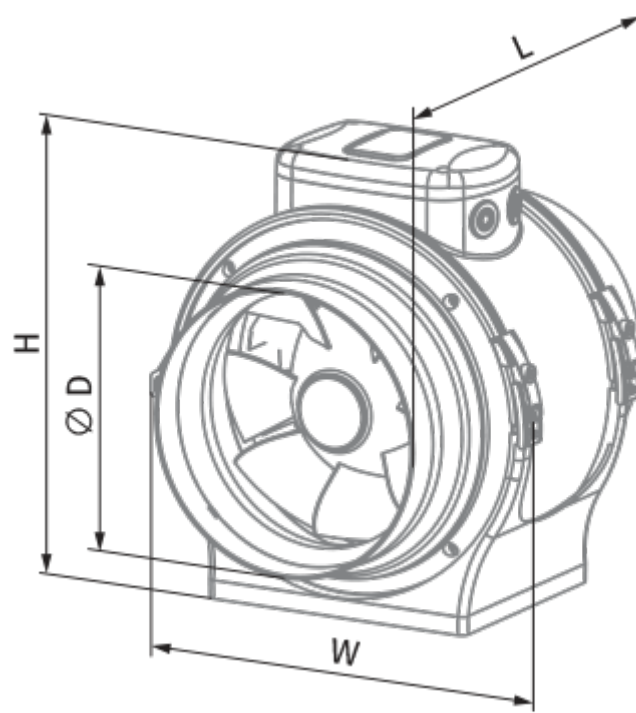
	Unit of measurement	Primo EC 250
Connected air duct size	mm	250
Speed	-	1
Minimum supply voltage	V	230
Maximum supply voltage	V	230
Power supply frequency	Hz	50/60
Rated power	W	168
Unit current	A	1.34
Maximum airflow	m <sup>3</sup> /h	1800
Sound pressure level LpA at 3 m	dB(A)	49
Transported air temperature (max)	°C	55
Transported air temperature (min)	°C	-25
Ingress protection rating	-	IPX4
Ingress protection rating of the drive	-	IP44





## Dimensions

ØD	H	L	W
249	342	293	327




## Ecodesign

Trademark	Blauberg
Model	Primo EC 250
Type of ventilation unit	Unidirectional
Type of drive installed	Integrated VSD
Type of heat recovery system	None
Nominal flow rate (m <sup>3</sup> /s)	0.264
Nominal external pressure (Pa)	260
Maximum external leakage rates (%)	2.7
Static efficiency (%)	50.4
Declared typology	NRVU UVU
Sound power level (dB(A))	67
Effective electric power input (kW)	0.139

## Accessories

### Other accessories

Name	Photo	Description
<a href="#">CDT E/0-10</a>		Speed control for EC motors