

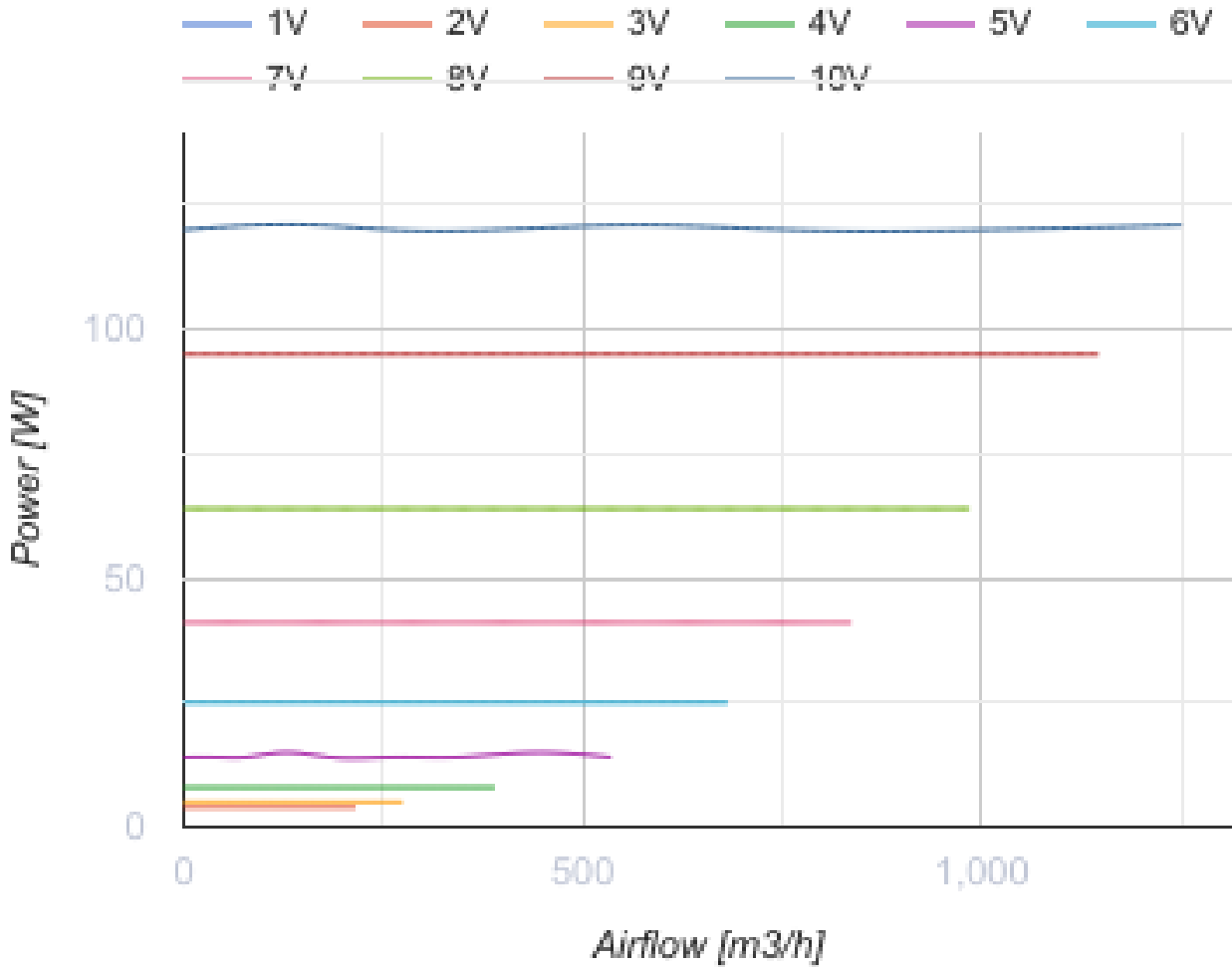
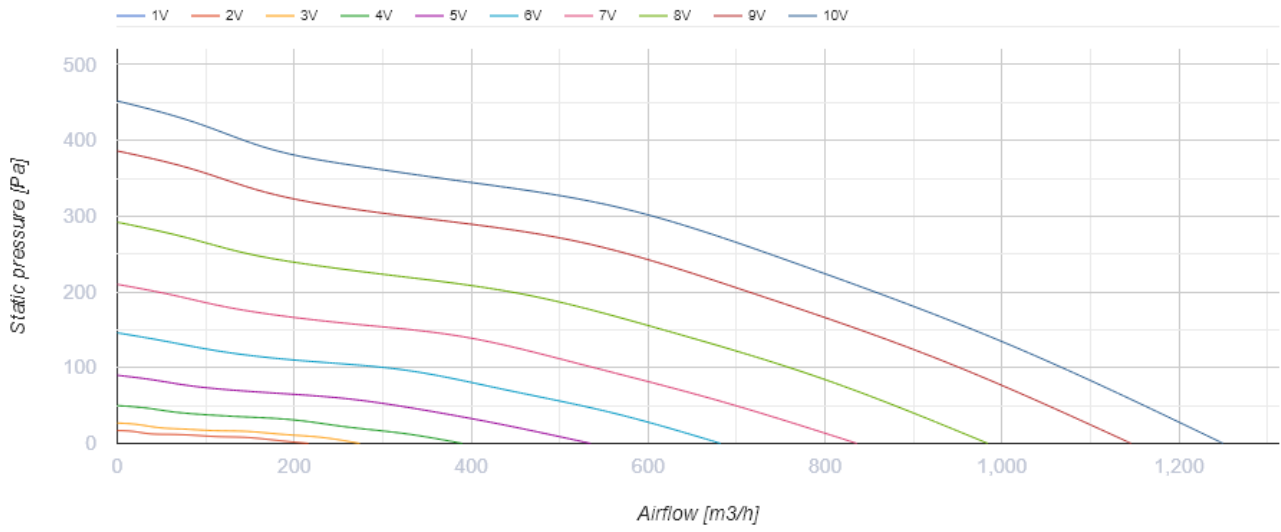


Primo EC 200

Inline mixed flow fans with EC motors

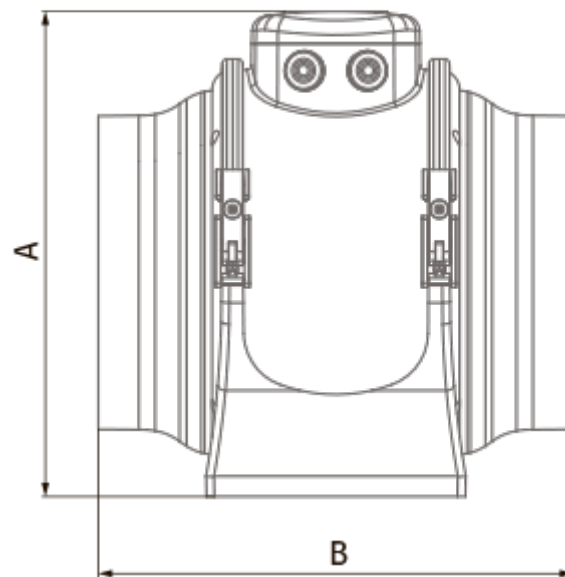
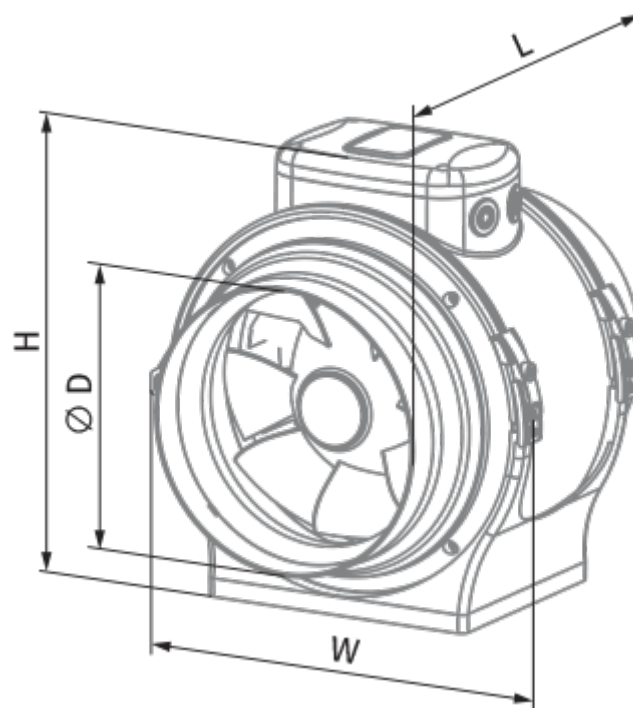
- Maximum airflow: 1250
- Sound pressure level LpA at 3 m: 50
- Motor type: EC
- Impeller type: Mixed-flow
- Casing material: Plastic
- Installation in any position

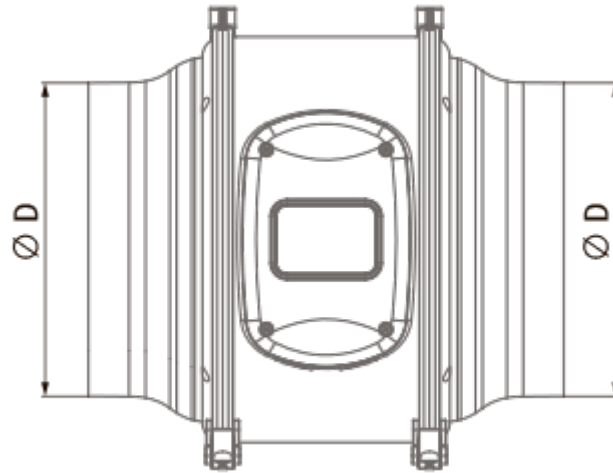
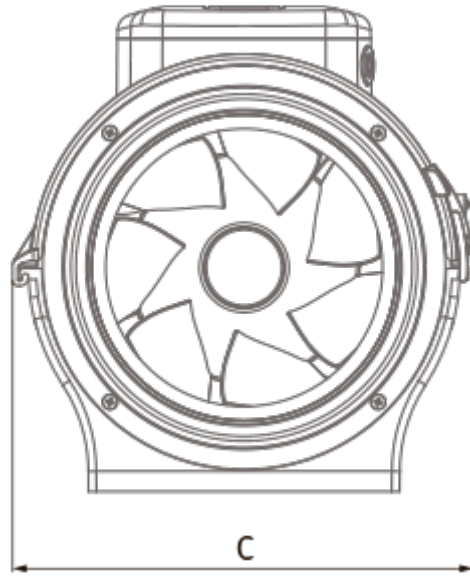
	Unit of measurement	Primo EC 200
Connected air duct size	mm	200
Speed	-	1
Phases	-	1
Minimum supply voltage	V	230
Maximum supply voltage	V	230
Power supply frequency	Hz	50/60
Rated power	W	121
Unit current	A	0.96
Maximum airflow	m ³ /h	1250
Sound pressure level LpA at 3 m	dB(A)	50
Weight	kg	4.2
Transported air temperature (max)	°C	55
Transported air temperature (min)	°C	-25
Ingress protection rating	-	IPX4
Ingress protection rating of the drive	-	IP44



Dimensions

A	B	C	ØD
308	302	293	200






Ecodesign

Trademark	Blauberg
Model	Primo EC 200
Type of ventilation unit	Unidirectional
Type of drive installed	Integrated VSD
Type of heat recovery system	None
Nominal flow rate (m ³ /s)	0.211
Nominal external pressure (Pa)	241
Maximum external leakage rates (%)	2.7
Static efficiency (%)	43.2
Declared typology	NRVU UVU
Sound power level (dB(A))	72
Effective electric power input (kW)	0.12

Accessories

EC motors regulators

Name	Photo	Description
CDT E/0-10		Speed control for EC motors