

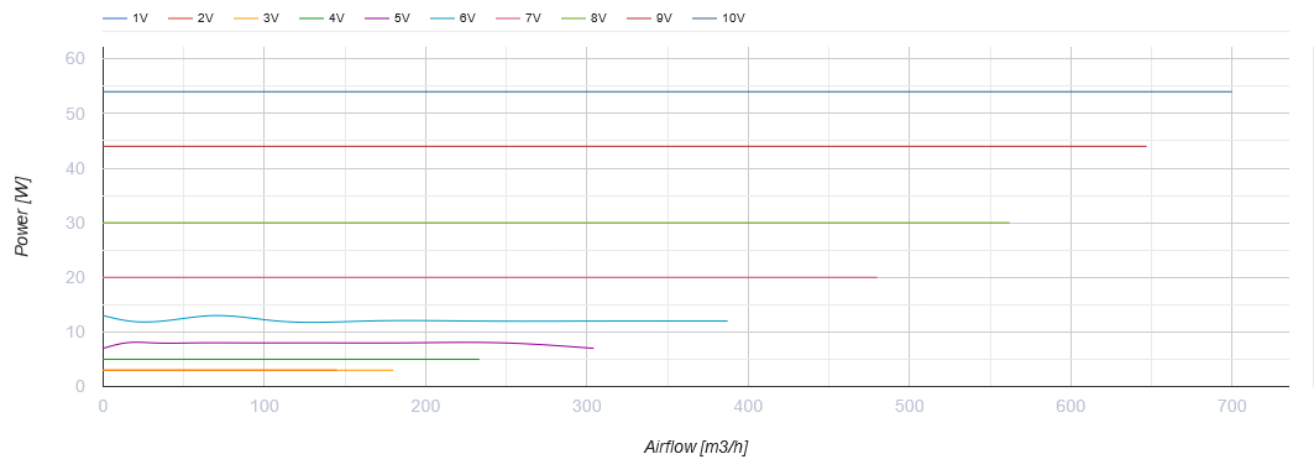
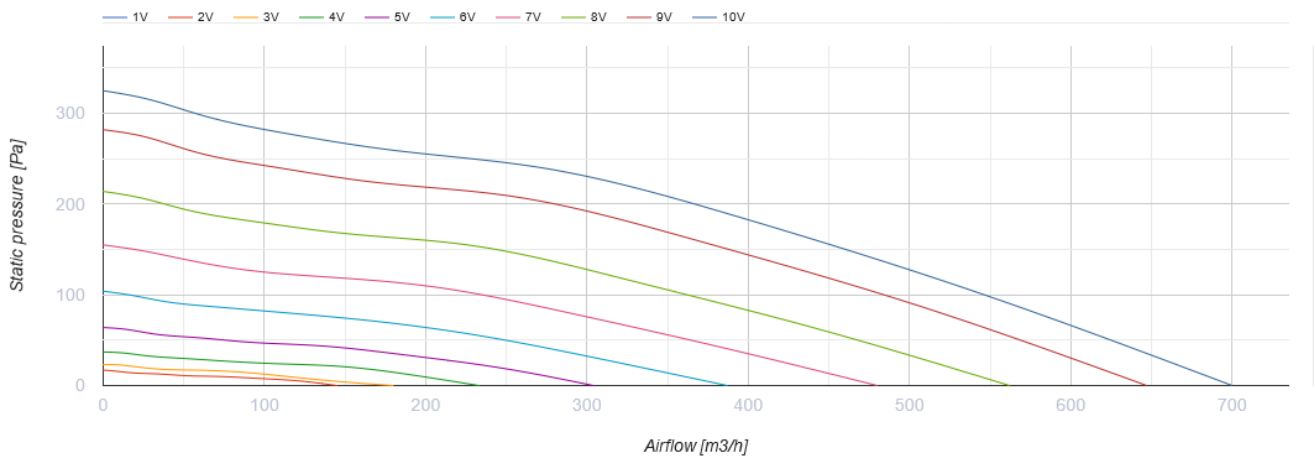


Primo EC 150

Inline mixed flow fans with EC motors

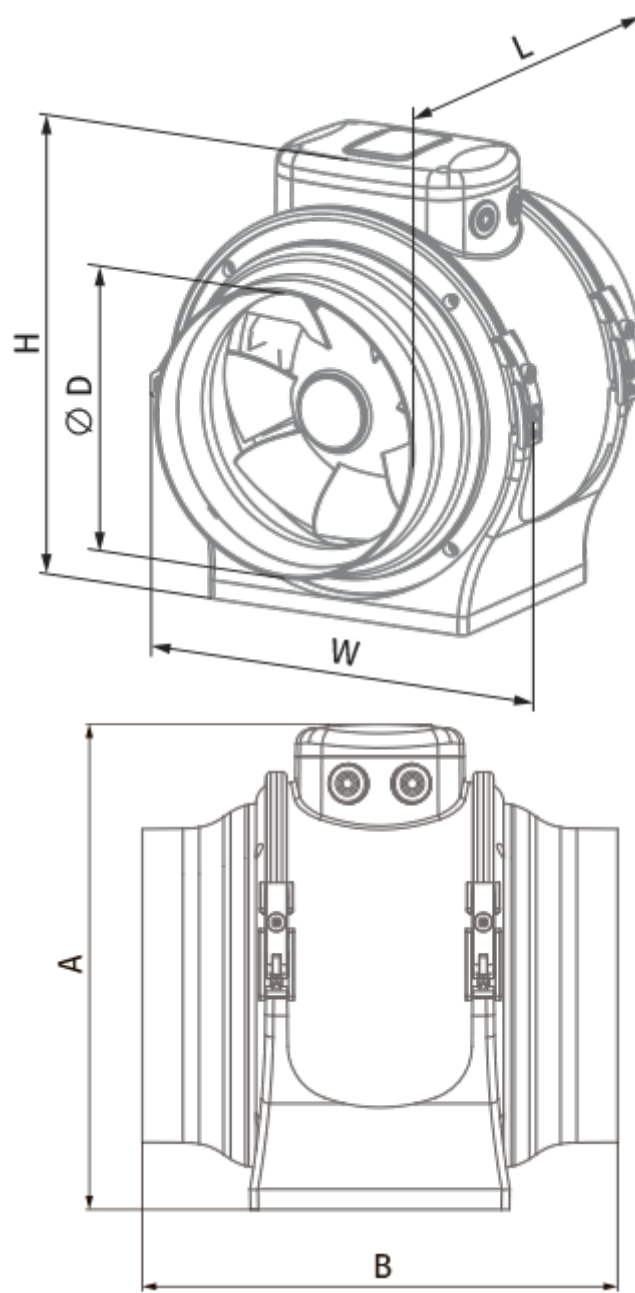
- Maximum airflow: 700
- Motor type: EC
- Impeller type: Mixed-flow
- Casing material: Plastic
- Installation in any position

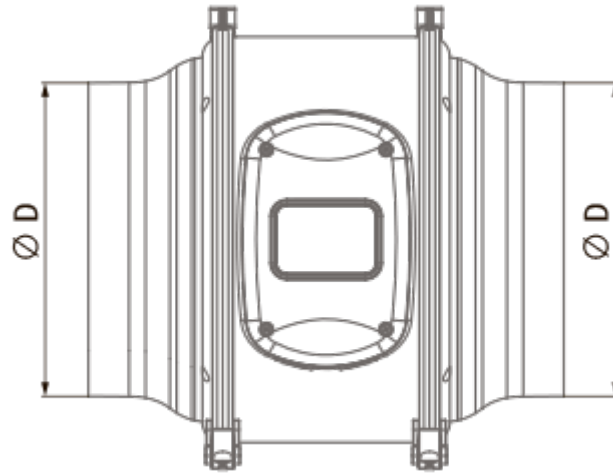
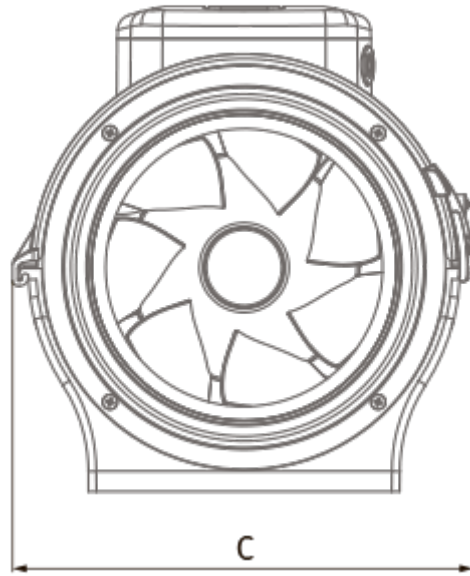
	Unit of measurement	Primo EC 150
Connected air duct size	mm	150
Speed	-	1
Phases	-	1
Minimum supply voltage	V	230
Maximum supply voltage	V	230
Power supply frequency	Hz	50/60
Rated power	W	54
Unit current	A	0.48
Maximum airflow	m ³ /h	700
Weight	kg	2.8
Transported air temperature (max)	°C	55
Transported air temperature (min)	°C	-25
Ingress protection rating	-	IPX4
Ingress protection rating of the drive	-	IP44



Dimensions

A	B	C	ØD
267	301	247	150






Ecodesign

Trademark	Blauberg
Model	Primo EC 150
Type of ventilation unit	Unidirectional
Type of drive installed	Integrated VSD
Type of heat recovery system	None
Nominal flow rate (m ³ /s)	0.108
Nominal external pressure (Pa)	188
Maximum external leakage rates (%)	2.7
Static efficiency (%)	38.5
Declared typology	NRVU UVU
Sound power level (dB(A))	59
Effective electric power input (kW)	0.054

Accessories

EC motors regulators

Name	Photo	Description
CDT E/0-10		Speed control for EC motors