

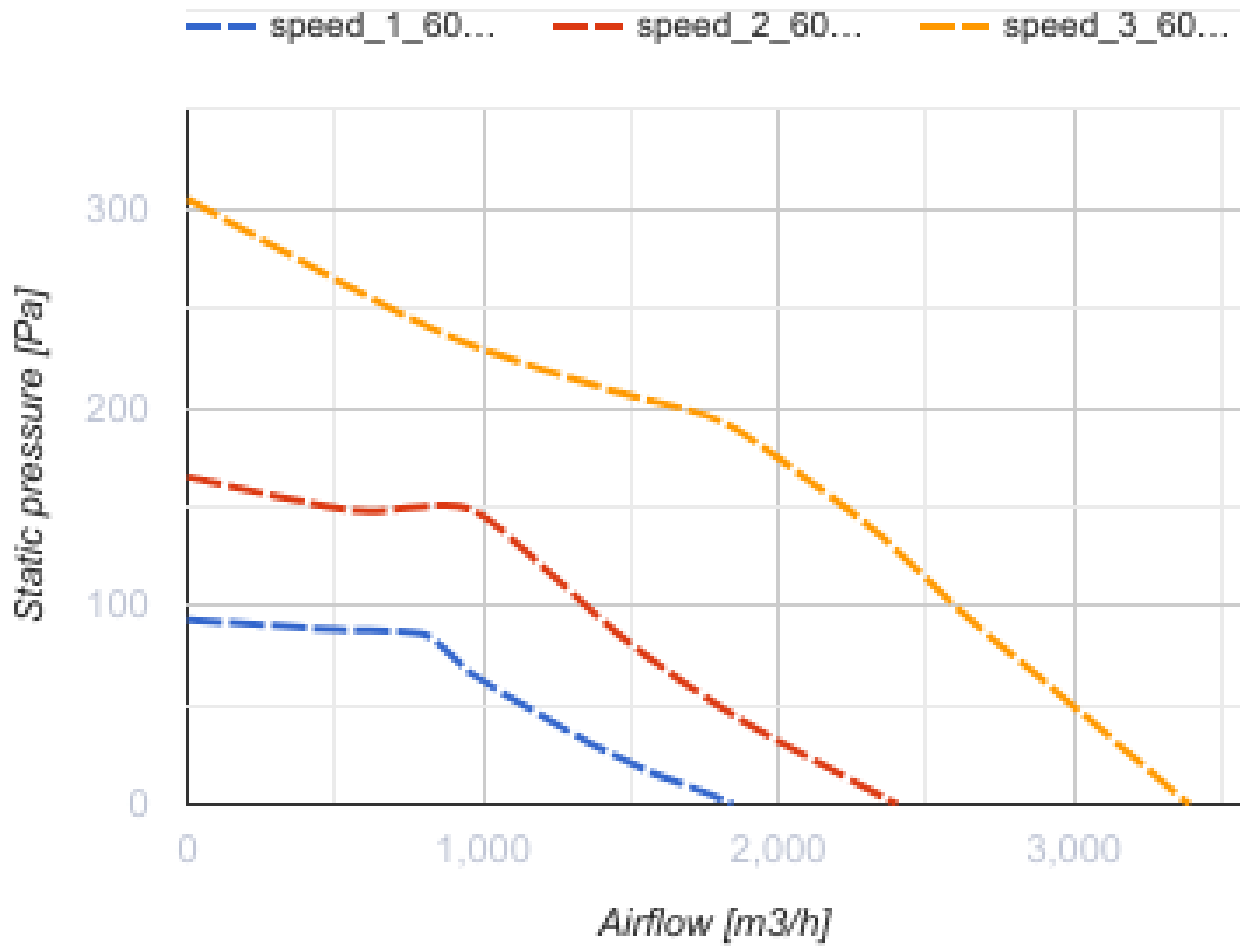


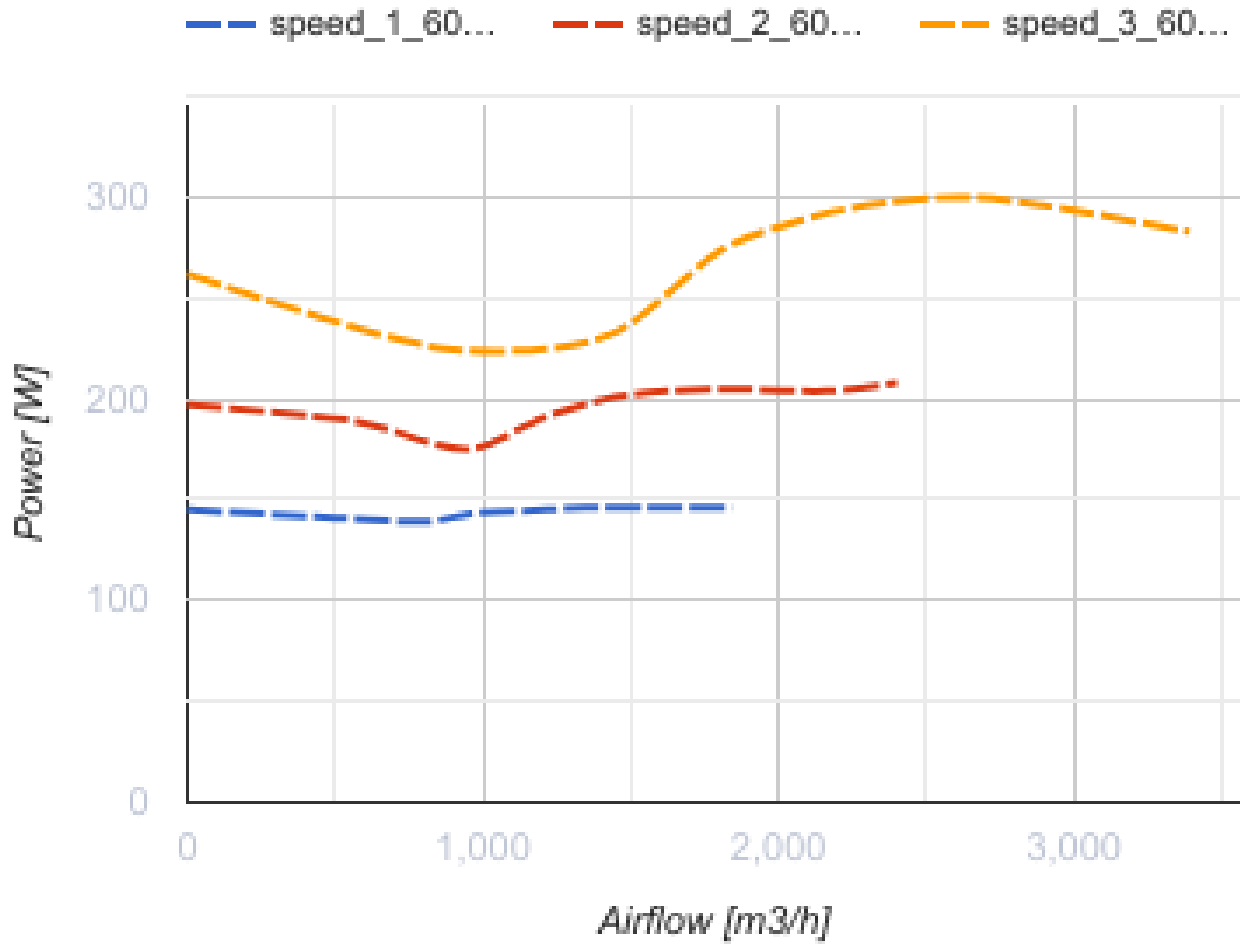
Primo 400 (220/60 Hz)

Inline mixed flow fans with AC motors

- Motor type: AC
- Impeller type: Mixed-flow
- Casing material: Plastic
- Installation in any position

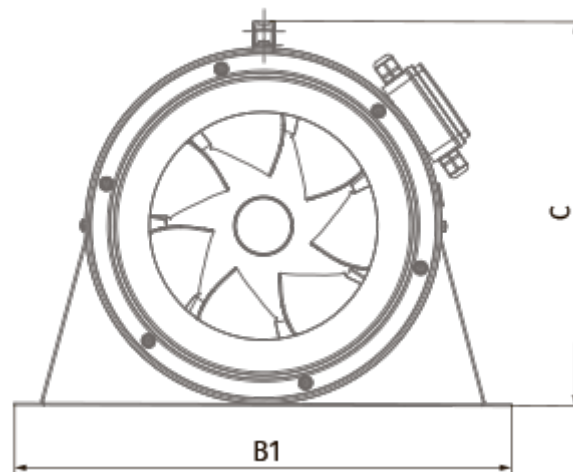
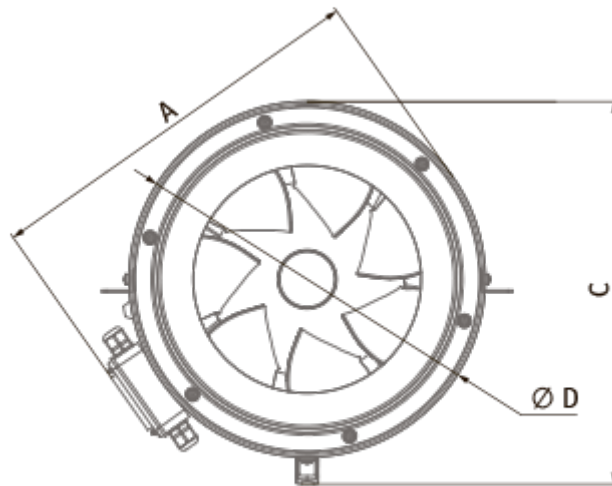
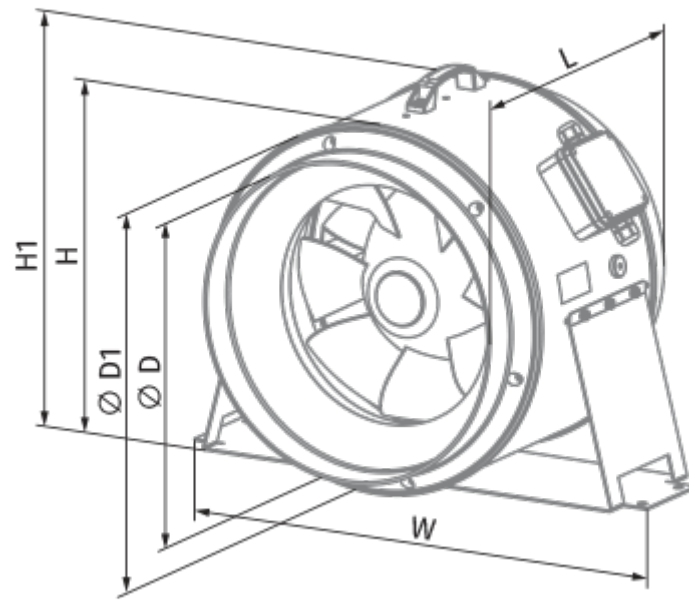
	Unit of measurement	Primo 400 (220/60 Hz)
Connected air duct size	mm	400
Speed	-	3
Phases	-	1
Minimum supply voltage	V	230
Maximum supply voltage	V	230
Power supply frequency	Hz	60
Weight	kg	18.5
Transported air temperature (max)	°C	55
Transported air temperature (min)	°C	-25
Ingress protection rating	-	IPX4
Ingress protection rating of the drive	-	IP20

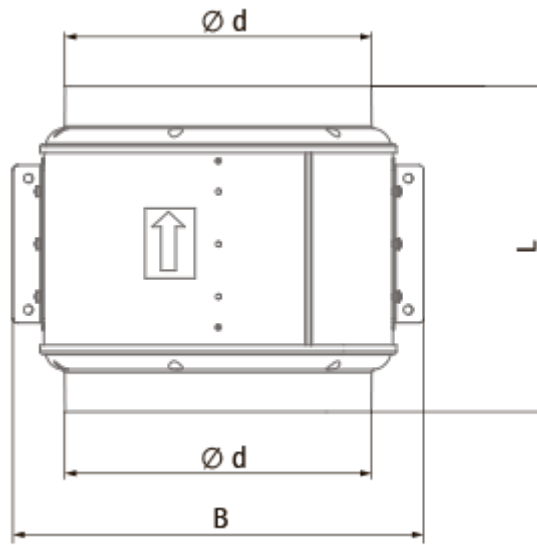




Dimensions

ØD	Ø d	A	L	B	B1	C	C1
451	395	496	415	513	623	482	484





Accessories

Speed control switches

Name	Photo	Description
CDPE-3 E5		