

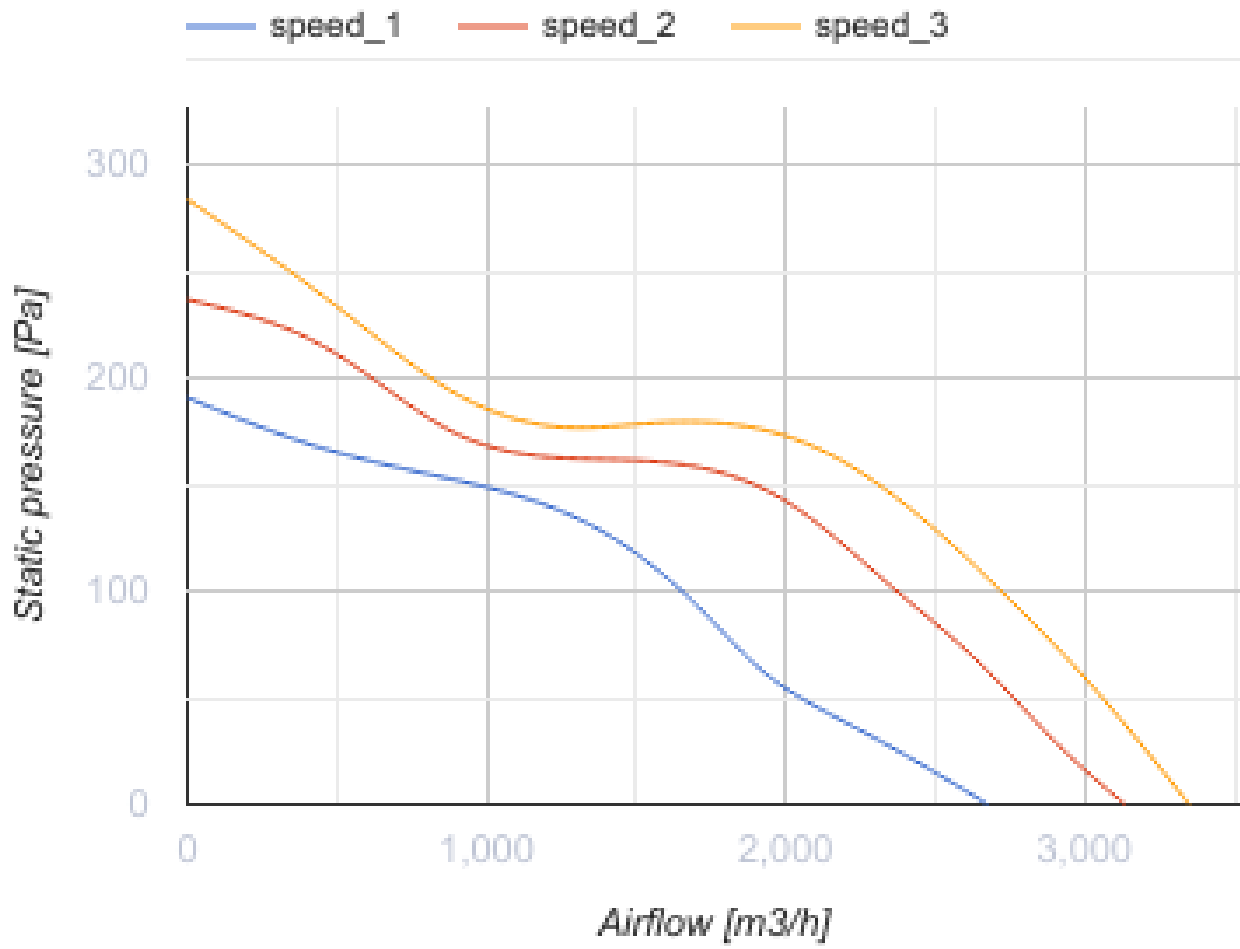


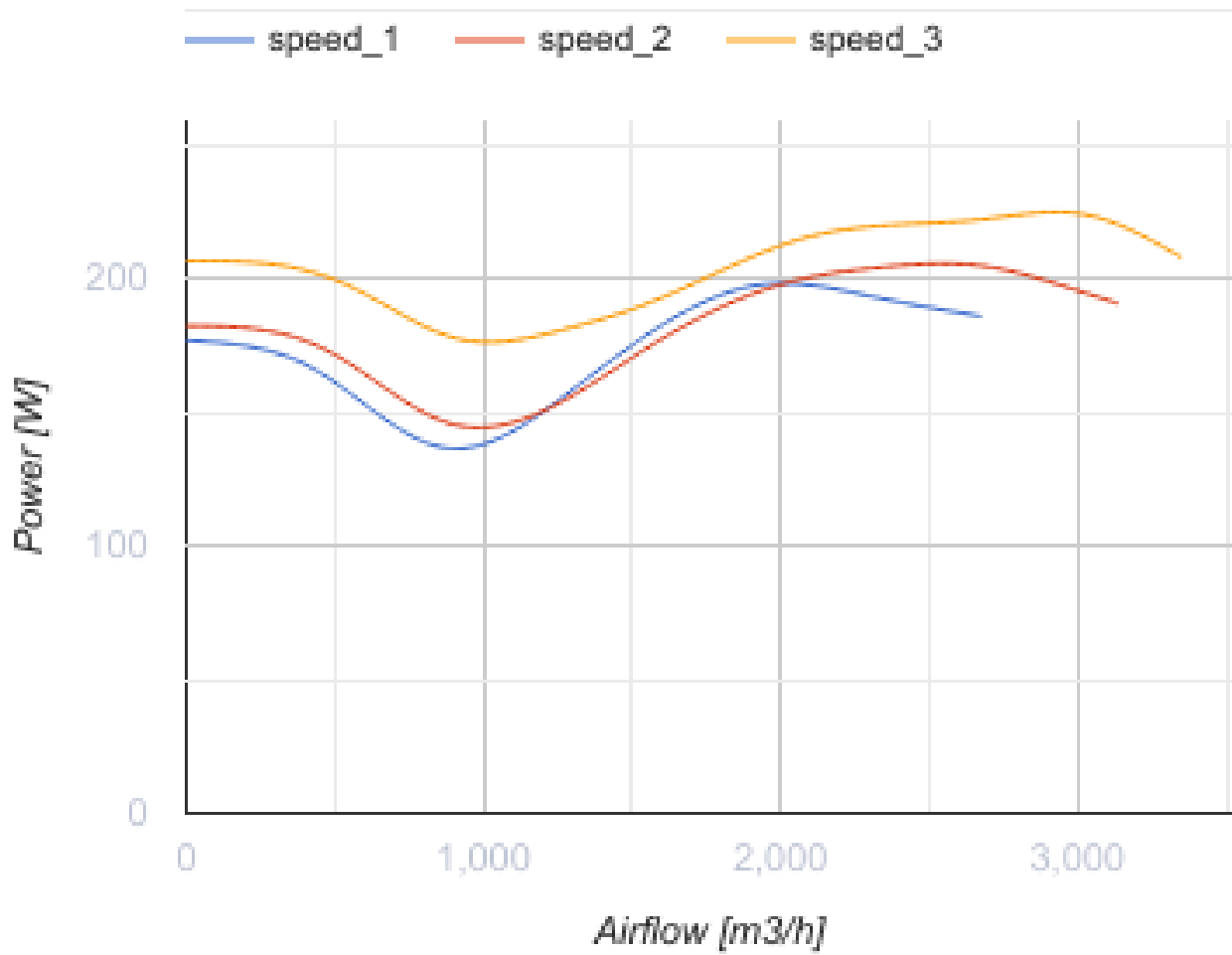
Primo 400

Inline mixed flow fans with AC motors

- Maximum airflow: 3350
- Sound pressure level LpA at 3 m: 43
- Motor type: AC
- Impeller type: Mixed-flow
- Casing material: Plastic
- Installation in any position

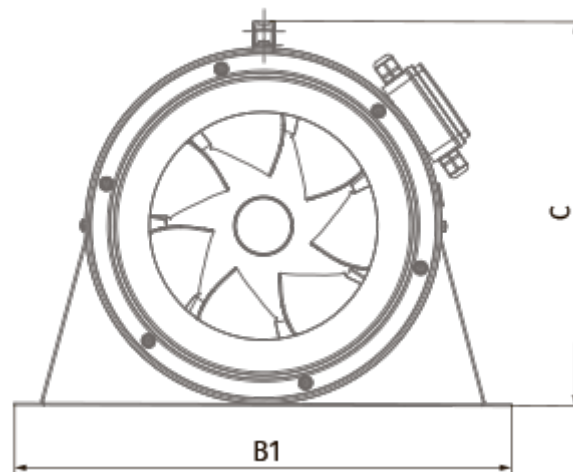
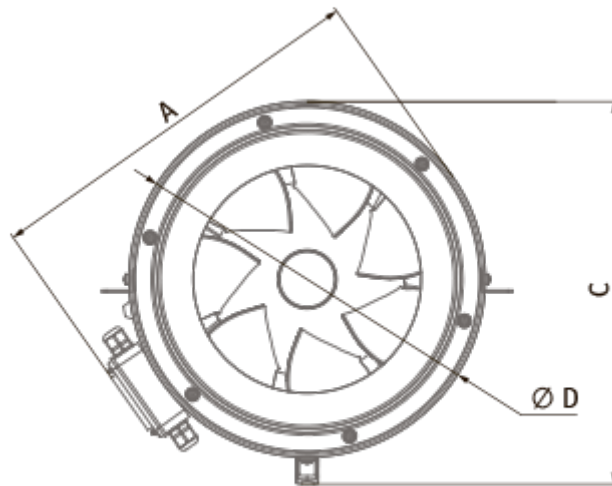
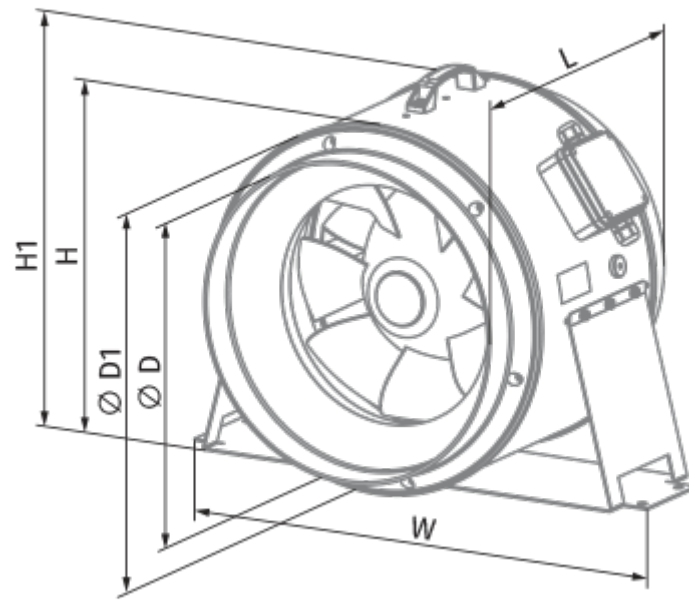
	Unit of measurement	Primo 400		
Connected air duct size	mm	400		
Speed	-	3		
Phases	-	1		
Minimum supply voltage	V	230		
Maximum supply voltage	V	230		
Power supply frequency	Hz	50		
Rated power	W	197	204	224
Unit current	A	0.91	0.90	0.98
Maximum airflow	m ³ /h	2677	3136	3350
Sound pressure level LpA at 3 m	dB(A)	40	42	43
Weight	kg	18.5		
Transported air temperature (max)	°C	55		
Transported air temperature (min)	°C	-25		
Ingress protection rating	-	IPX4		
Ingress protection rating of the drive	-	IP20		

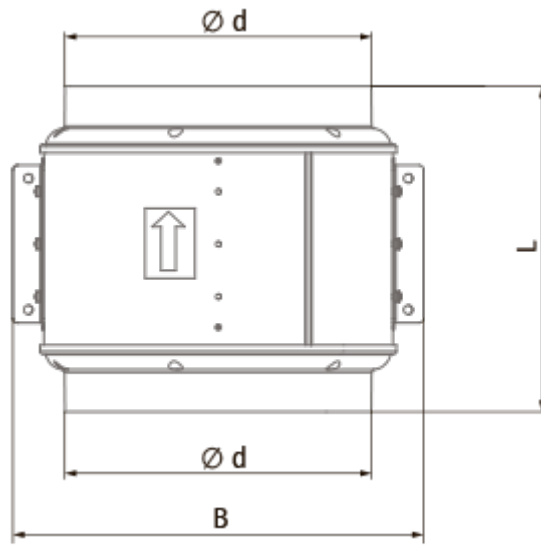




Dimensions

ØD	Ø d	A	L	B	B1	C	C1
451	395	496	415	513	623	482	484





Ecodesign

Trademark	Blauberg
Model	Primo 400
Type of ventilation unit	Unidirectional
Type of drive installed	Integrated MSD
Type of heat recovery system	None
Nominal flow rate (m ³ /s)	0.756
Nominal external pressure (Pa)	100
Maximum external leakage rates (%)	2.7
Static efficiency (%)	34.6
Declared typology	NRVU UVU
Sound power level (dB(A))	63
Effective electric power input (kW)	0.223

Accessories

Speed control switches

Name	Photo	Description
CDPE-3 E5		