

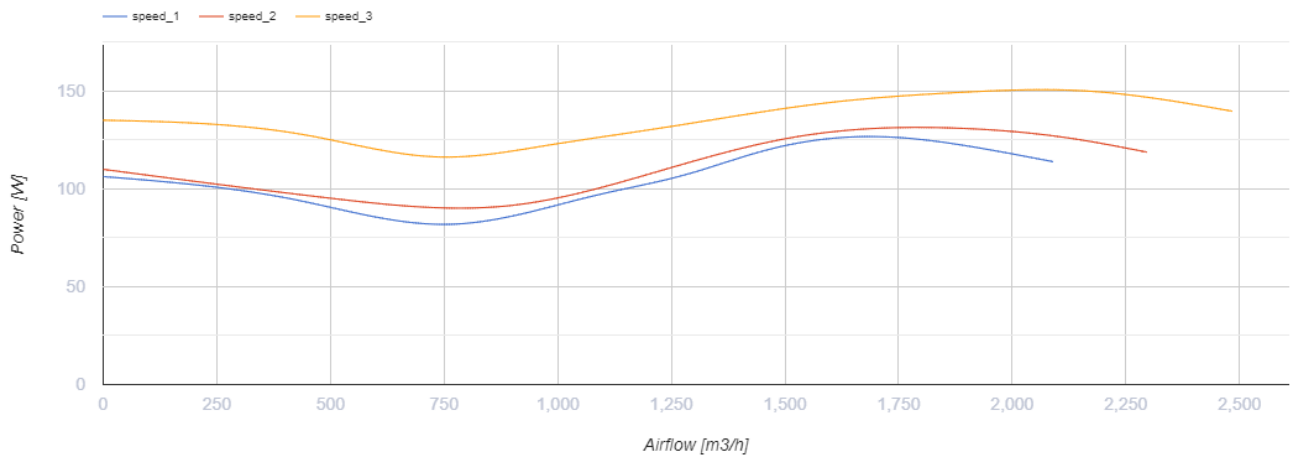
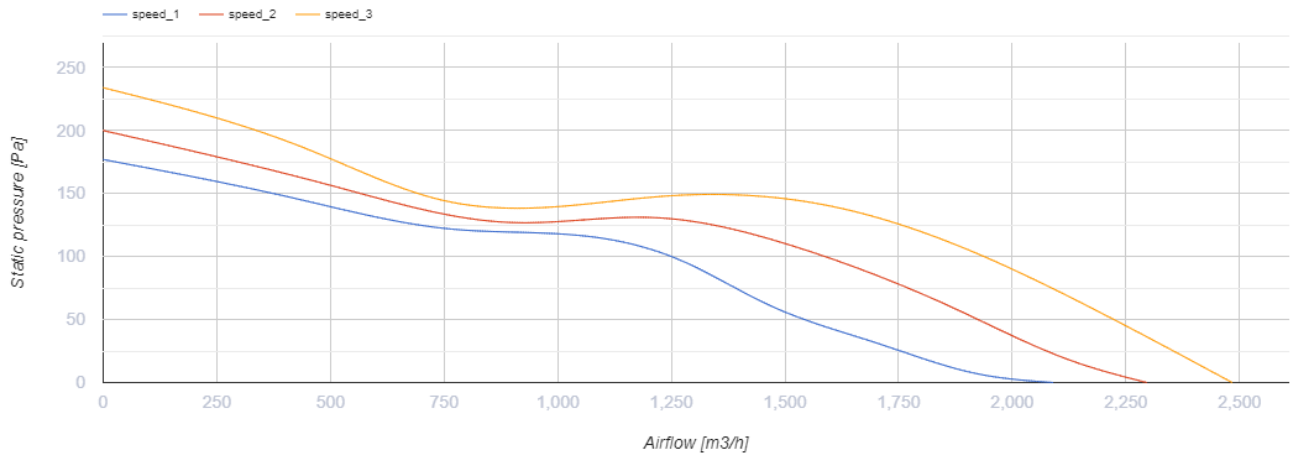


## Primo 355

Inline mixed flow fans with AC motors

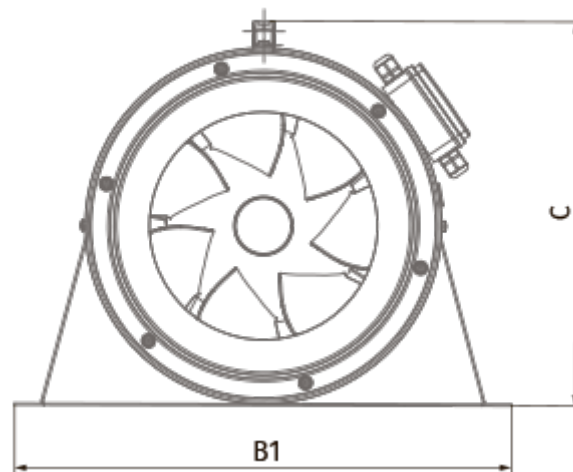
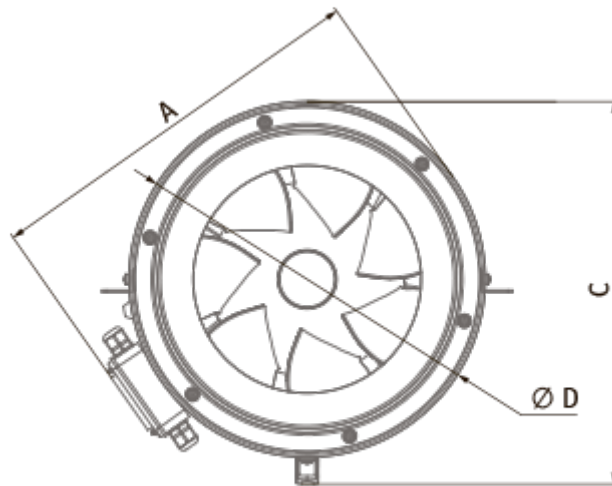
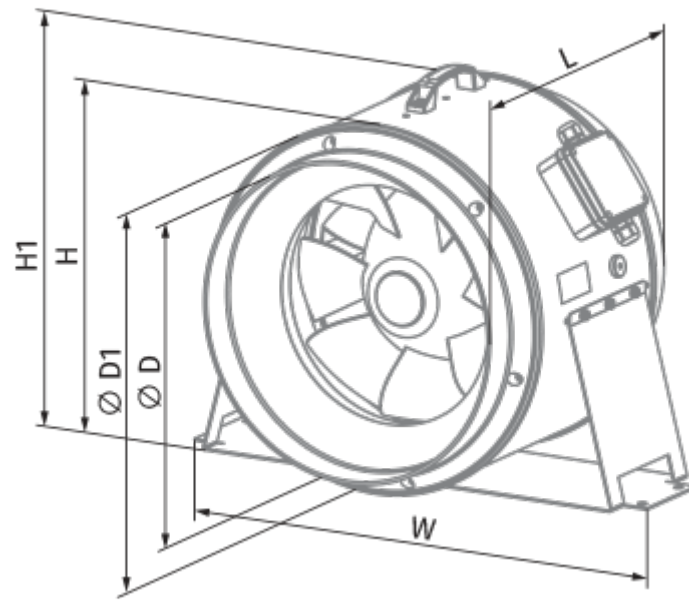
- Maximum airflow: 2485
- Sound pressure level LpA at 3 m: 43
- Motor type: AC
- Impeller type: Mixed-flow
- Casing material: Plastic
- Installation in any position

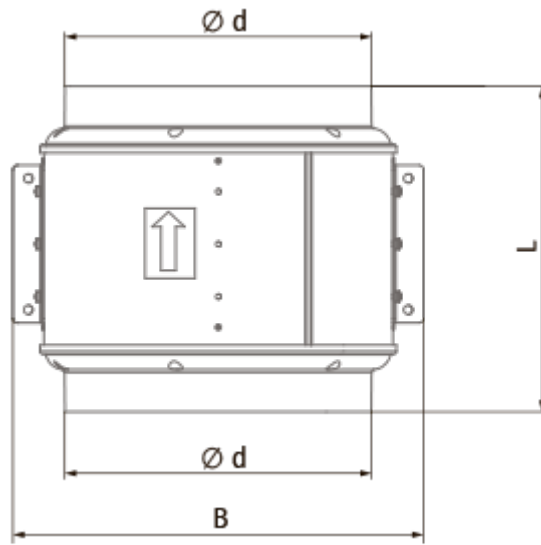
|  | Unit of measurement | Primo 355 |      |      |
|--|---------------------|-----------|------|------|
| Connected air duct size                | mm                  | 355       |      |      |
| Speed                                  | -                   | 1         |      |      |
| Phases                                 | -                   | 1         |      |      |
| Minimum supply voltage                 | V                   | 120       |      |      |
| Maximum supply voltage                 | V                   | 120       |      |      |
| Power supply frequency                 | Hz                  | 60        |      |      |
| Rated power                            | W                   | 126       | 131  | 150  |
| Unit current                           | A                   |           |      |      |
| Maximum airflow                        | m <sup>3</sup> /h   | 2090      | 2296 | 2485 |
| Sound pressure level LpA at 3 m        | dB(A)               | 38        | 38   | 43   |
| Weight                                 | kg                  | 15        |      |      |
| Transported air temperature (max)      | °C                  | 55        |      |      |
| Transported air temperature (min)      | °C                  | -25       |      |      |
| Ingress protection rating              | -                   | IPX4      |      |      |
| Ingress protection rating of the drive | -                   | IP20      |      |      |



## Dimensions

| ØD  | Ø d | A   | L   | B   | B1  | C   | C1  |
|-----|-----|-----|-----|-----|-----|-----|-----|
| 406 | 350 | 451 | 372 | 468 | 566 | 437 | 439 |





## Ecodesign

|                                       |                |
|---------------------------------------|----------------|
| Trademark                             | Blauberg       |
| Model                                 | Primo 355      |
| Type of ventilation unit              | Unidirectional |
| Type of drive installed               | Integrated MSD |
| Type of heat recovery system          | None           |
| Nominal flow rate (m <sup>3</sup> /s) | 0.547          |
| Nominal external pressure (Pa)        | 100            |
| Maximum external leakage rates (%)    | 2.7            |
| Static efficiency (%)                 | 37.2           |
| Declared typology                     | NRVU UVU       |
| Sound power level (dB(A))             | 63             |
| Effective electric power input (kW)   | 0.15           |

## Accessories

### Speed control switches

| Name                      | Photo | Description |
|---------------------------|-------|-------------|
| <a href="#">CDPE-3 E5</a> |       |             |