

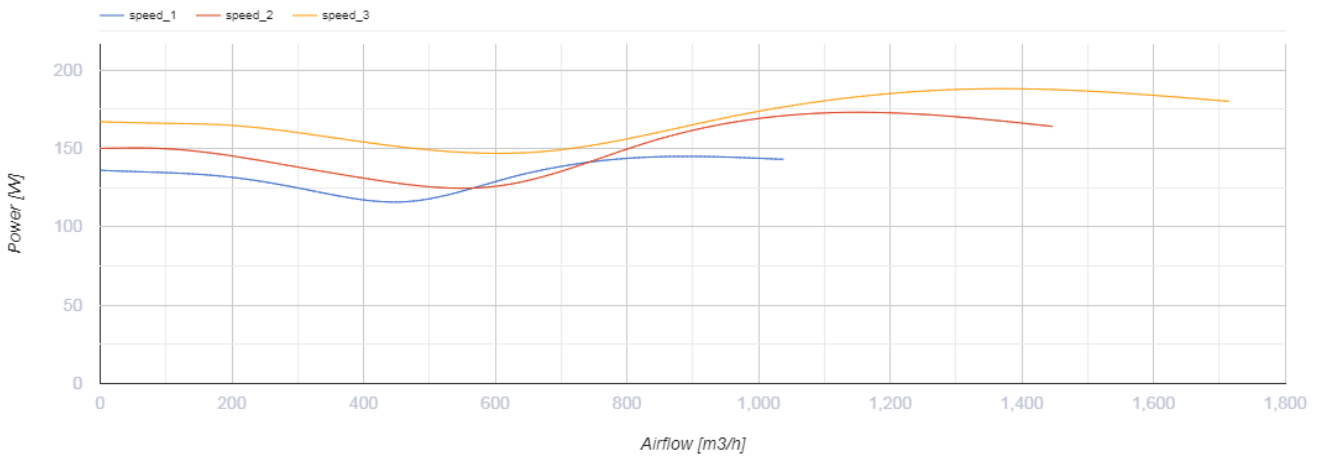
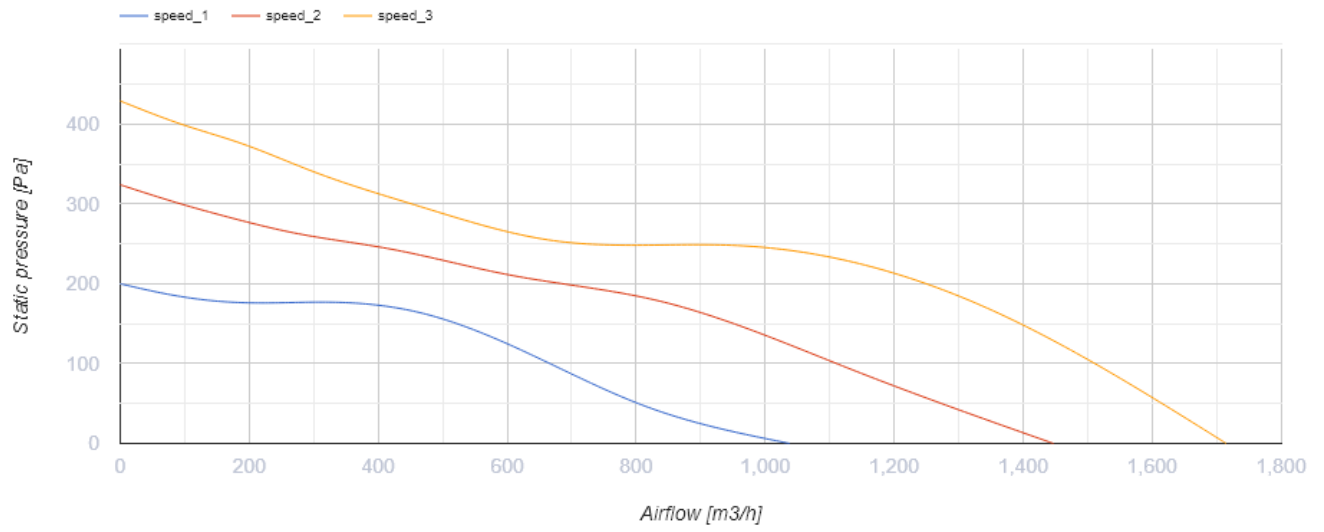


## Primo 250

Inline mixed flow fans with AC motors

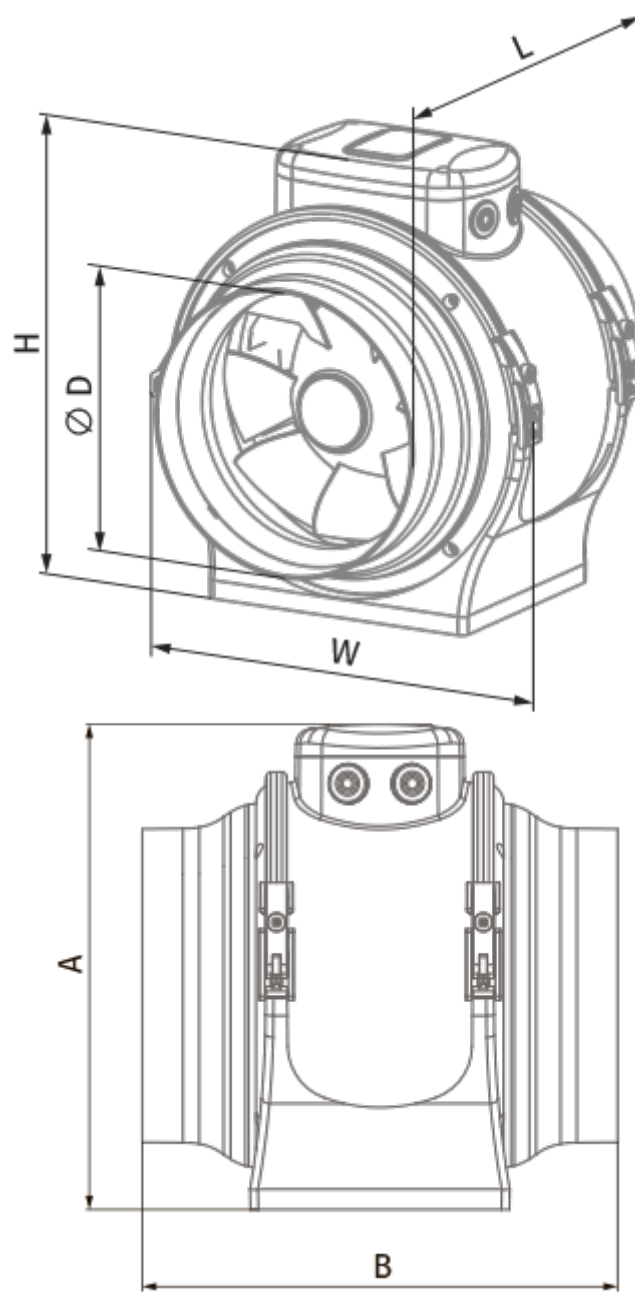
- Maximum airflow: 1715
- Sound pressure level LpA at 3 m: 50
- Motor type: AC
- Impeller type: Mixed-flow
- Casing material: Plastic
- Installation in any position

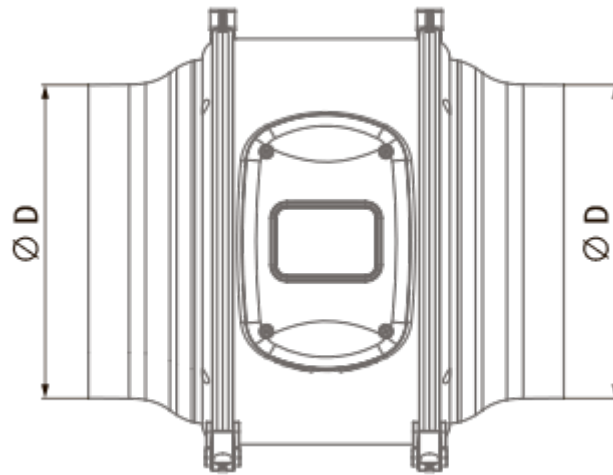
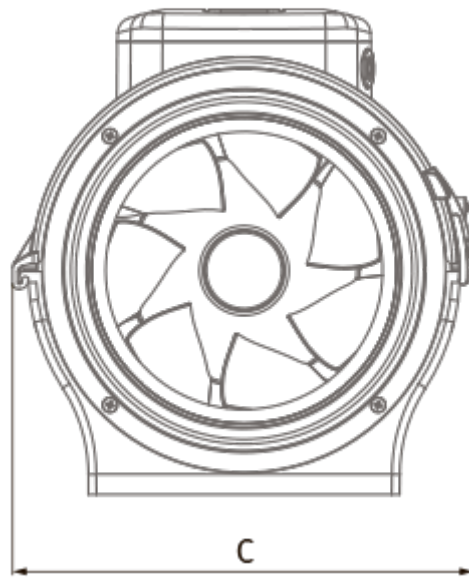
	Unit of measurement	Primo 250		
Connected air duct size	mm	250		
Speed	-	3		
Phases	-	1		
Minimum supply voltage	V	230		
Maximum supply voltage	V	230		
Power supply frequency	Hz	50		
Rated power	W	144	173	188
Unit current	A	0.70	0.81	0.84
Maximum airflow	m <sup>3</sup> /h	1038	1447	1715
Sound pressure level LpA at 3 m	dB(A)	41	47	50
Weight	kg	6.4		
Transported air temperature (max)	°C	55		
Transported air temperature (min)	°C	-25		
Ingress protection rating	-	IPX4		
Ingress protection rating of the drive	-	IP20		



## Dimensions

A	B	C	ØD
342	293	326	250





## Ecodesign

Trademark	Blauberg
Model	Primo 250
Type of ventilation unit	Unidirectional
Type of drive installed	Integrated VSD
Type of heat recovery system	None
Nominal flow rate (m <sup>3</sup> /s)	0.265
Nominal external pressure (Pa)	248
Maximum external leakage rates (%)	2.7
Static efficiency (%)	39.5
Declared typology	NRVU UVU
Sound power level (dB(A))	62
Effective electric power input (kW)	0.17

## Accessories

### Speed control switches

Name	Photo	Description
<a href="#">CDPE-3 E5</a>		