

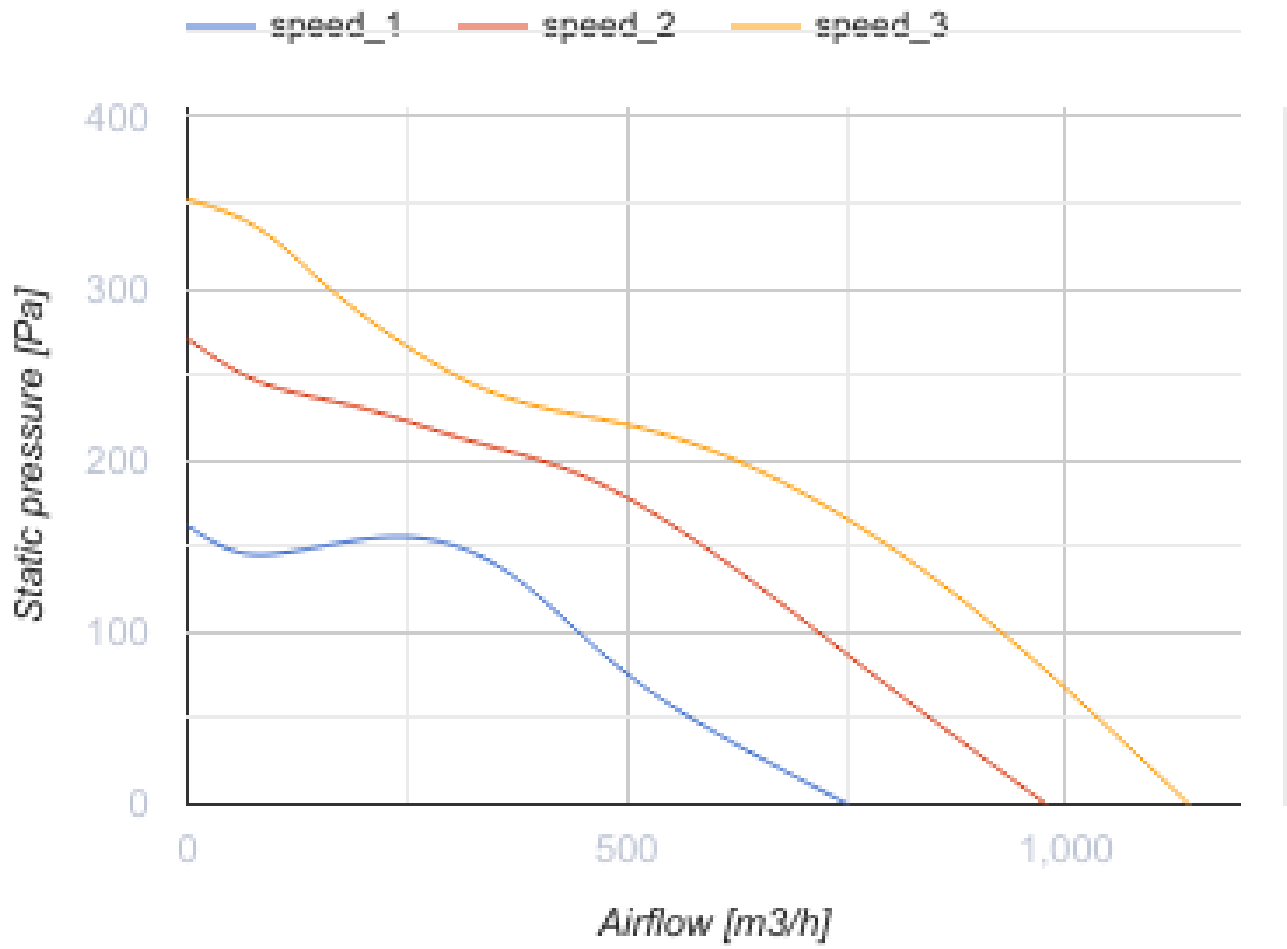


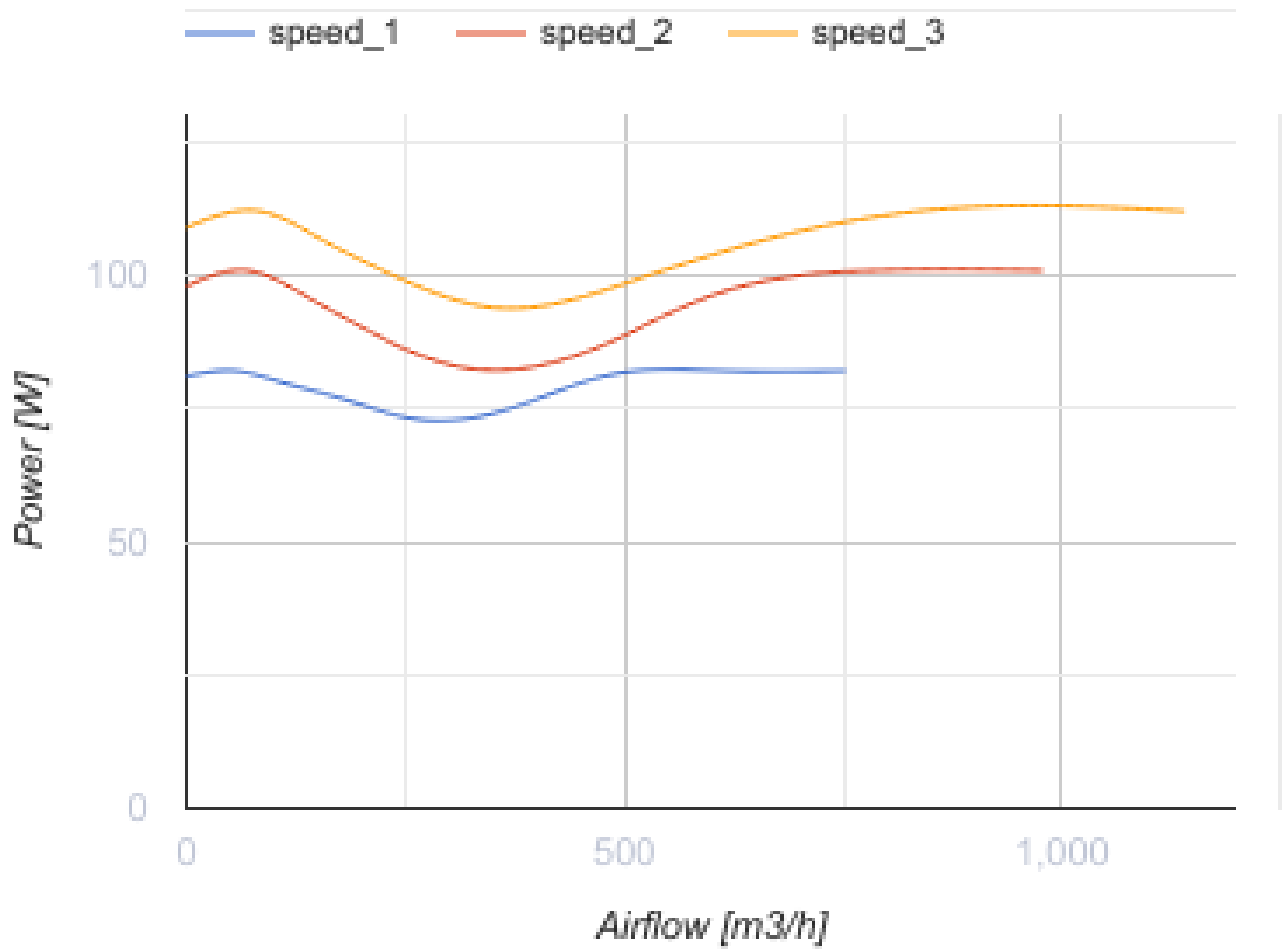
Primo 200

Inline mixed flow fans with AC motors

- Maximum airflow: 1140
- Sound pressure level LpA at 3 m: 50
- Motor type: AC
- Impeller type: Mixed
- Casing material: Plastic
- Installation in any position

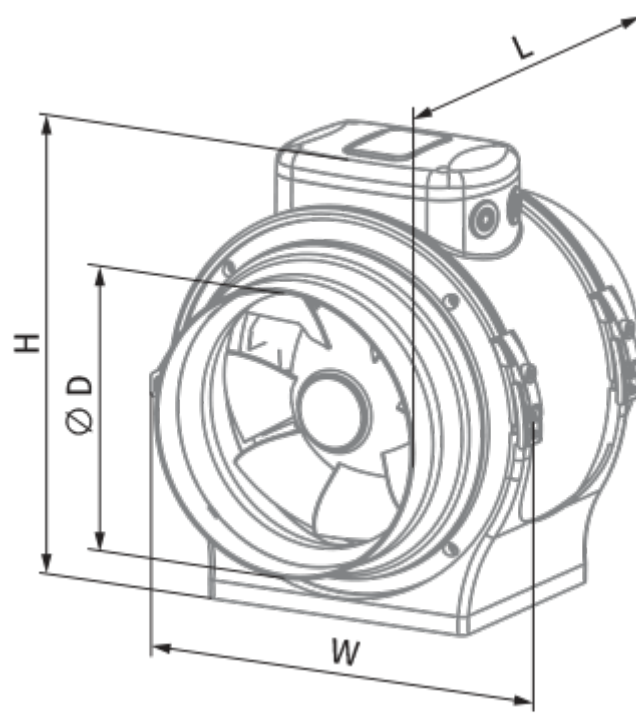
	Unit of measurement	Primo 200		
Connected air duct size	mm	200		
Speed	-	3		
Minimum supply voltage	V	230		
Maximum supply voltage	V	230		
Power supply frequency	Hz	50		
Rated power	W	82	101	113
Unit current	A	0.37	0.45	0.51
Maximum airflow	m ³ /h	752	978	1140
Sound pressure level LpA at 3 m	dB(A)	39	46	50
Transported air temperature (max)	°C	55		
Transported air temperature (min)	°C	-25		
Ingress protection rating	-	IPX4		
Ingress protection rating of the drive	-	IP20		





Dimensions

ØD	H	L	W
198.5	308	302	293



Ecodesign

Trademark	Blauberg
Model	Primo 200
Type of ventilation unit	Unidirectional
Type of drive installed	Integrated VSD
Type of heat recovery system	None
Nominal flow rate (m ³ /s)	0.193
Nominal external pressure (Pa)	183
Maximum external leakage rates (%)	2.7
Static efficiency (%)	33.3
Declared typology	NRVU UVU
Sound power level (dB(A))	70
Effective electric power input (kW)	0.108

Accessories

Speed control switches

Name	Photo	Description
CDPE-3 E5		