

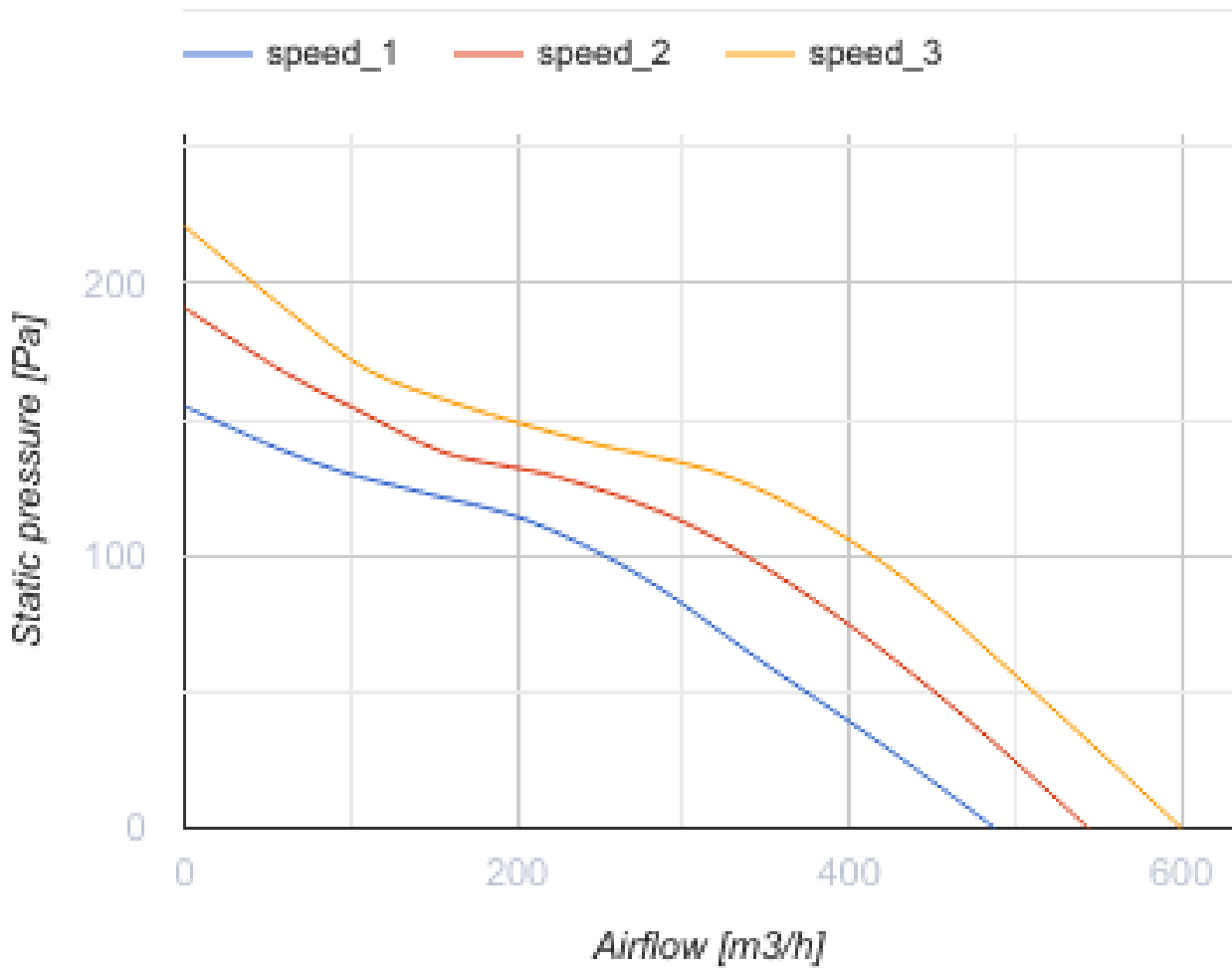
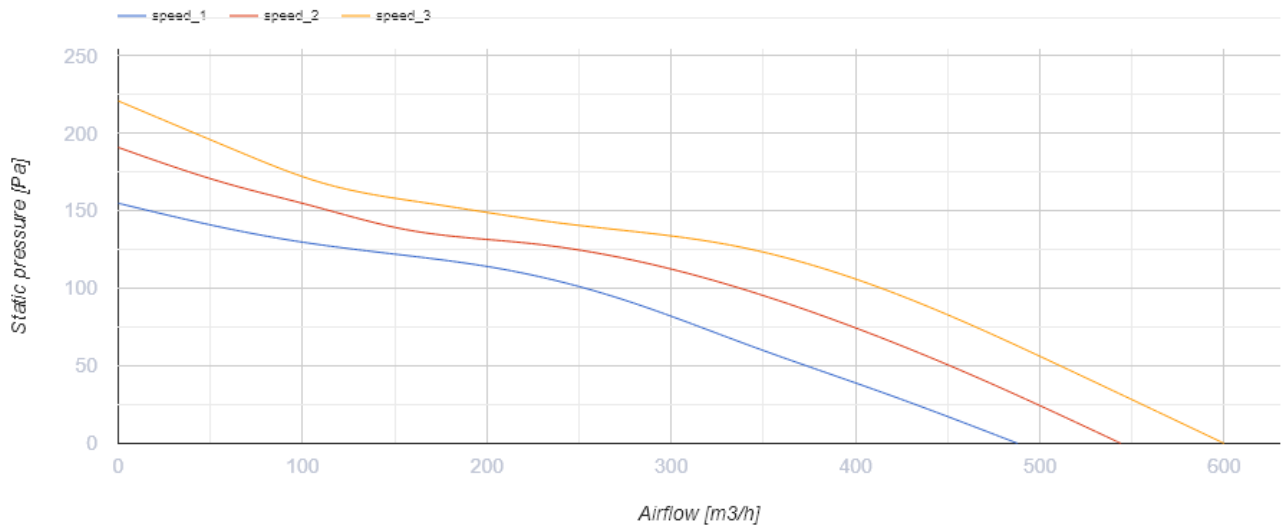


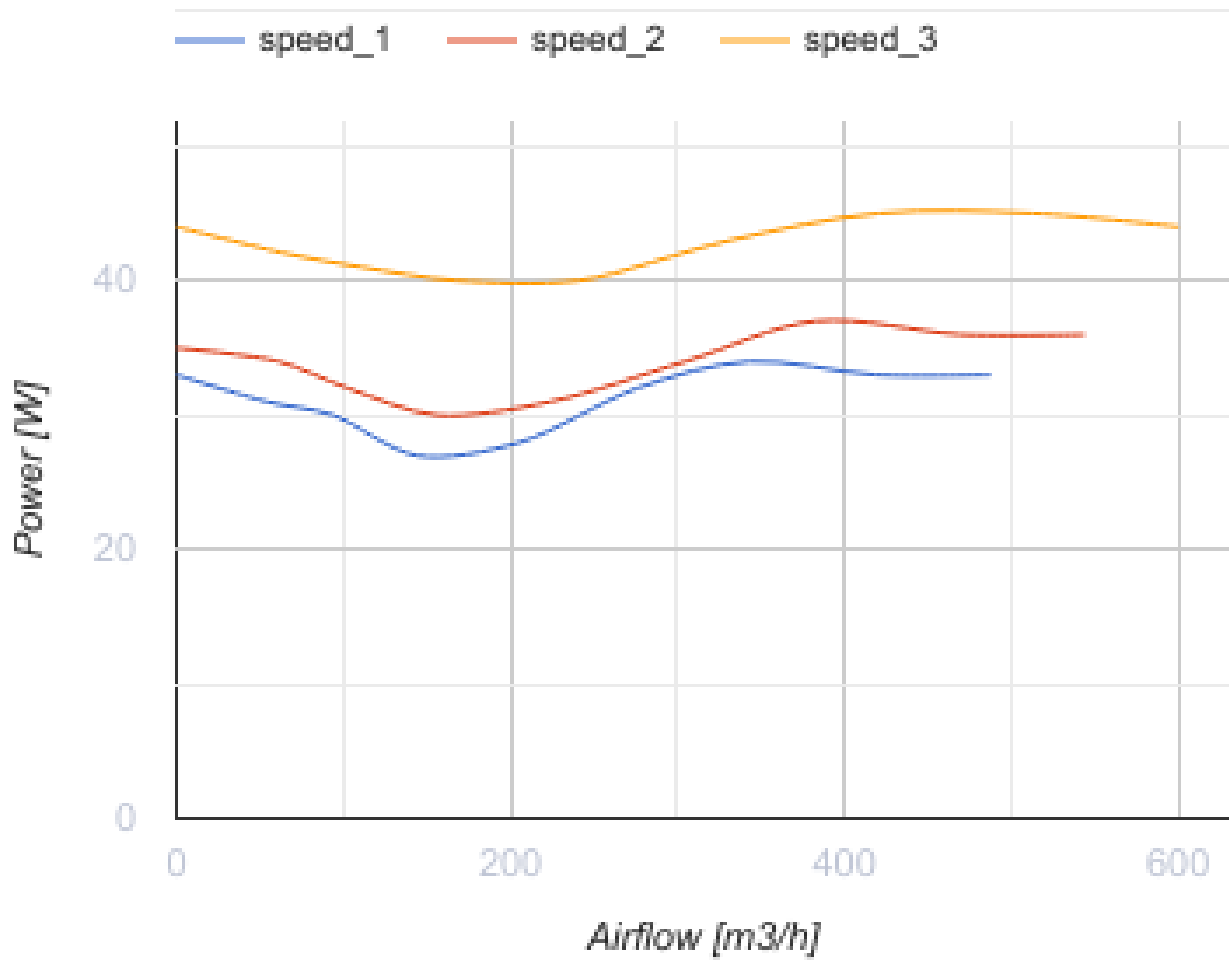
Primo 160

Inline mixed flow fans with AC motors

- Maximum airflow: 600
- Sound pressure level LpA at 3 m: 37
- Motor type: AC
- Impeller type: Mixed-flow
- Casing material: Plastic
- Installation in any position

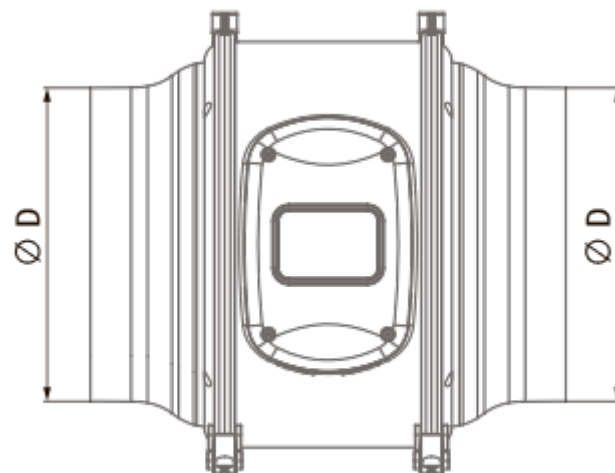
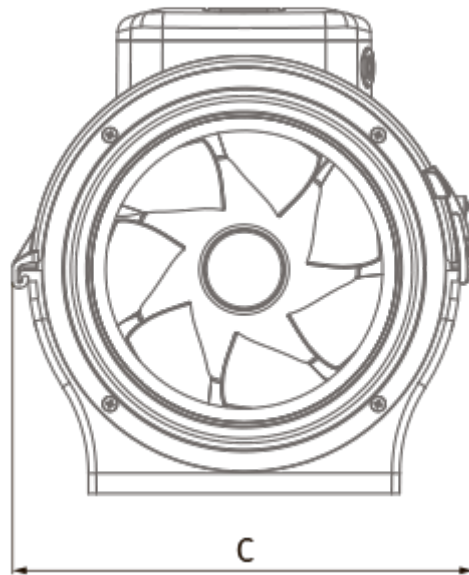
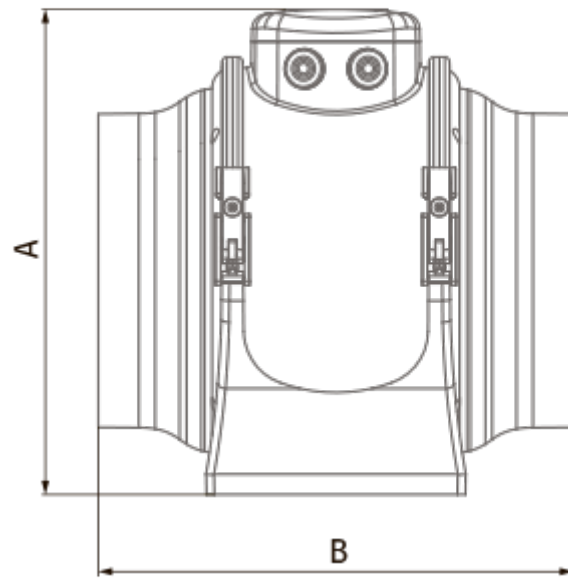
	Unit of measurement	Primo 160		
Connected air duct size	mm	160		
Speed	-	3		
Phases	-	1		
Minimum supply voltage	V	230		
Maximum supply voltage	V	230		
Power supply frequency	Hz	50		
Rated power	W	34	37	45
Unit current	A	0.15	0.16	0.20
Maximum airflow	m ³ /h	488	544	600
Sound pressure level LpA at 3 m	dB(A)	34	35	37
Weight	kg	2.9		
Transported air temperature (max)	°C	55		
Transported air temperature (min)	°C	-25		
Ingress protection rating	-	IPX4		
Ingress protection rating of the drive	-	IP20		





Dimensions

A	B	C	ØD
267	301	251	160



Ecodesign

Trademark	Blauberg
Model	Primo 160
Type of ventilation unit	Unidirectional
Type of drive installed	Integrated VSD
Type of heat recovery system	None
Nominal flow rate (m ³ /s)	0.092
Nominal external pressure (Pa)	128
Maximum external leakage rates (%)	2.7
Static efficiency (%)	28
Sound power level (dB(A))	56
Effective electric power input (kW)	0.043
Declared typology	NRVU UVU

Accessories

Speed control switches

Name	Photo	Description
CDPE-3 E5		