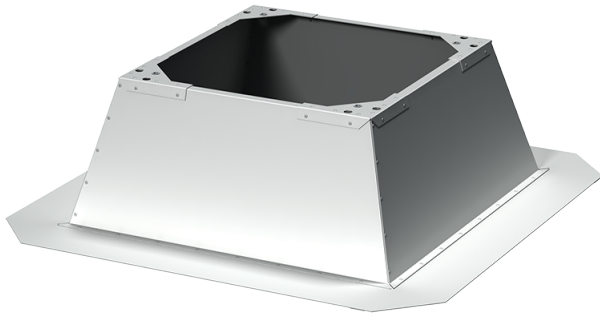


MRIDL 900

Mounting frames

- Casing material: Galvanized steel



	Unit of measurement	MRIDL 900
Weight	kg	113

Dimensions

B	B1	H	L	L1
1512	1150	650,0	1212	1050

