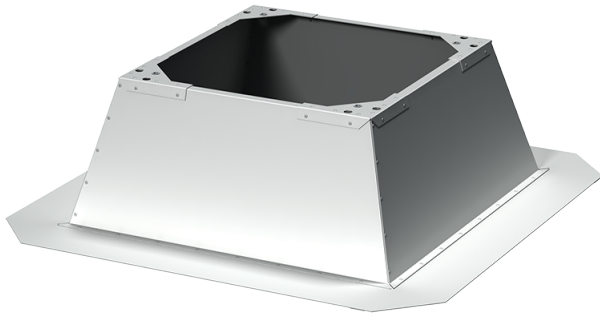


MRIDL 710-800

Mounting frames

- Casing material: Galvanized steel



| | Unit of measurement | MRIDL 710-800 |
|--------|---------------------|---------------|
| Weight | kg | 89 |

Dimensions

| B | B1 | H | L | L1 |
|------|-----|-------|-----|-----|
| 1262 | 900 | 600,0 | 962 | 840 |

