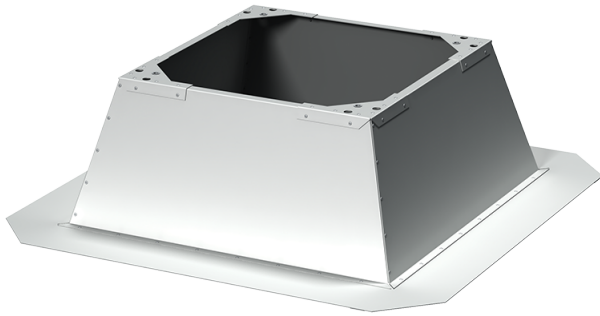


MRIDL 560

Mounting frames



	Unit of measurement	MRIDL 560
Weight	kg	35.7

Dimensions

B	B1	H	L	L1
1180	770	300,5	817	750

