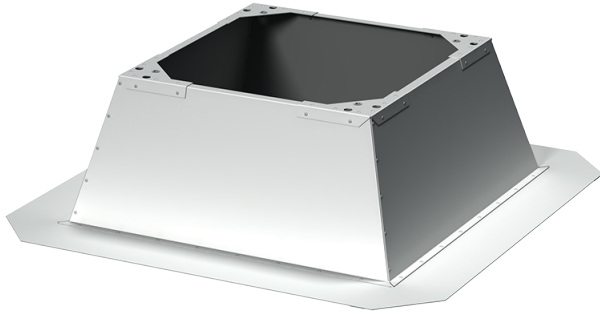


MRIDL 450-500

Mounting frames

- Casing material: Galvanized steel



| | Unit of measurement | MRIDL 450-500 |
|--------|---------------------|---------------|
| Weight | kg | 21.2 |

Dimensions

| B | B1 | H | L | L1 |
|-----|-----|-------|-----|-----|
| 997 | 576 | 300,5 | 631 | 535 |

