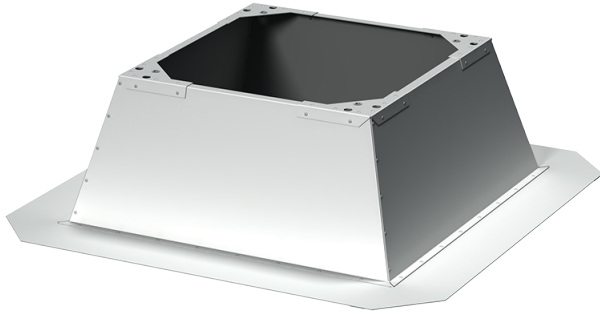


MRIDL 250-315

Mounting frames

- Casing material: Galvanized steel



	Unit of measurement	MRIDL 250-315
Weight	kg	16.9

Dimensions

B	B1	H	L	L1
810	352	300,5	401	330

