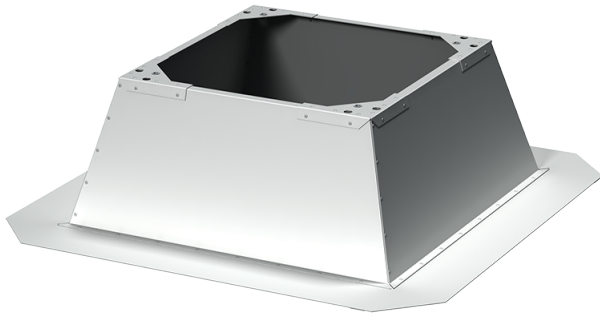


MRDL 900

Mounting frames

- Casing material: Galvanized steel



	Unit of measurement	MRDL 900
Weight	kg	85.7

Dimensions

B	B1	H	L	L1
1512	1152	650,0	1212	1050

