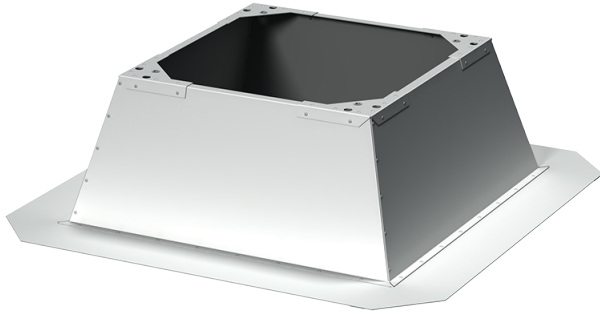


MRDL 355-400

Mounting frames

- Casing material: Galvanized steel



	Unit of measurement	MRDL 355-400
Weight	kg	16.4

Dimensions

B	B1	H	L	L1
980	506	300,5	561	450

