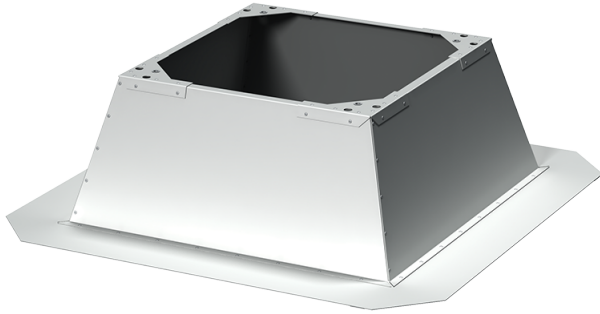


# MRDL 250-315

Mounting frames

- Casing material: Galvanized steel



	Unit of measurement	MRDL 250-315
Weight	kg	12
Article	-	8053436

## Dimensions

B	B1	H	L	L1
810	352	300,5	401	330

