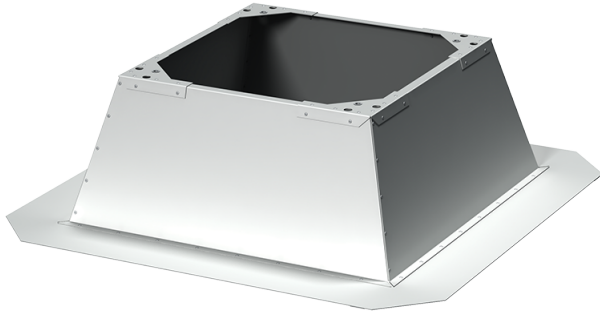


# MRDL 1000-1100

Mounting frames

- Casing material: Galvanized steel



	Unit of measurement	MRDL 1000-1100
Weight	kg	103.7

## Dimensions

B	B1	H	L	L1
1712	1352	730,0	1412	1240

