



Moon 125 TR

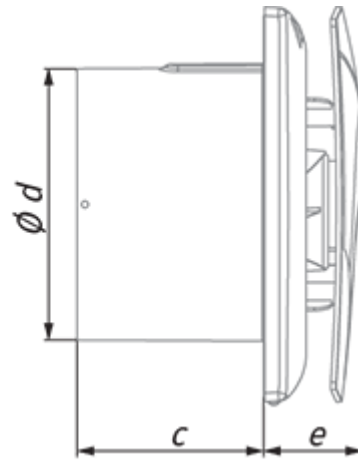
Axial extract fan equipped with a decorative front panel, high air flow and low energy consumption

- Maximum airflow: 155
- Sound pressure level LpA at 3 m: 32
- Casing material: Plastic
- Backdraft protection: Backdraft damper
- Timer: Turn off timer, Turn on timer

	Unit of measurement	Moon 125 TR
Connected air duct size	mm	125
Speed	-	1
Minimum supply voltage	V	220
Maximum supply voltage	V	240
Power supply frequency	Hz	50
Rated power	W	18
Unit current	A	0.11
Maximum airflow	m ³ /h	155
rotation speed at 50hz	-	2200
Sound pressure level LpA at 3 m	dB(A)	32
Weight	kg	0.75
Ambient air temperature min	°C	1
Ambient air temperature max	°C	40
Ingress protection rating	-	IP44

Dimensions

a	c	Ø d	e
180	85	124	45



Ecodesign



Trademark	Blauberg					
Model	Moon 125 TR					
Specific energy consumption (SEC) (kWh/(m ² /a))	Cold		Average		Warm	
	-33.2	B	-15.3	E	-5	F
Type of ventilation unit	Unidirectional					
Type of drive installed	Single speed					
Type of heat recovery system	None					
Maximum flow rate (m ³ /h)	155					
Electric power input (W)	18					
Reference flow rate (m ³ /s)	0.03					
Specific power input (SPI) (W/(m ³ /h))	0.116					
Control typology	Clock control					
Maximum external leakage rates (%)	2.7					
Declared typology	RVU UVU					
Sound power level (dB(A))	52					
The annual electricity consumption (AEC) (kWh/a)	Cold		Average		Warm	
	138		138		138	
The annual heating saved (AHS) (kWh/a)	Cold		Average		Warm	
	3667		1874		848	

Accessories

Other accessories

Name	Photo	Description
CDT E1.8		Thyristor speed controller