



## Moon 125 SH

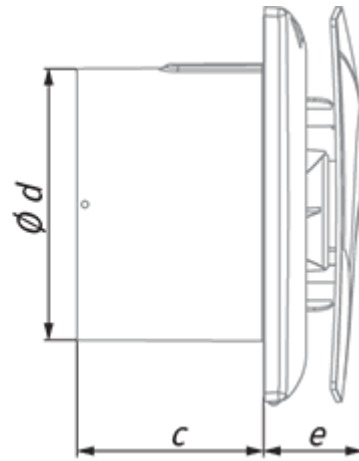
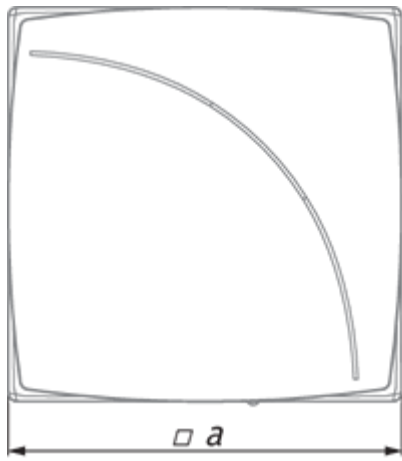
Axial extract fan equipped with a decorative front panel, high air flow and low energy consumption

- Sound pressure level LpA at 3 m: 32
- Casing material: Plastic
- Backdraft protection: Backdraft damper
- Pull cord
- Timer: Turn off timer, Turn on timer

	Unit of measurement	Moon 125 SH
Connected air duct size	mm	125
Minimum supply voltage	V	220
Maximum supply voltage	V	240
Power supply frequency	Hz	50
Rated power	W	18
Unit current	A	0.11
Maximum airflow	m <sup>3</sup> /h	155
Sound pressure level LpA at 3 m	dB(A)	32
Weight	kg	0.75
Ambient air temperature min	°C	1
Ambient air temperature max	°C	40
Ingress protection rating	-	IP44
Impeller material	-	Plastic

### Dimensions

a	c	Ø d	e
180	85	124	45



## Ecodesign

Trademark	Blauberg					
Model	Moon 125 SH					
Specific energy consumption (SEC) (kWh/(m <sup>2</sup> /a))	Cold		Average		Warm	
	-53	A+	-25.9	C	-10.4	E
Type of ventilation unit	Unidirectional					
Type of drive installed	Single speed					
Type of heat recovery system	None					
Maximum flow rate (m <sup>3</sup> /h)	155					
Electric power input (W)	18					
Reference flow rate (m <sup>3</sup> /s)	0.03					
Specific power input (SPI) (W/(m <sup>3</sup> /h))	0.116					
Control typology	Local demand control					
Maximum external leakage rates (%)	2.7					
Declared typology	RVU UVU					
Sound power level (dB(A))	52					
The annual electricity consumption (AEC) (kWh/a)	Cold		Average		Warm	
	95		95		95	
The annual heating saved (AHS) (kWh/a)	Cold		Average		Warm	
	5536		2830		1280	