



Moon 100 (220-240V/60Hz)

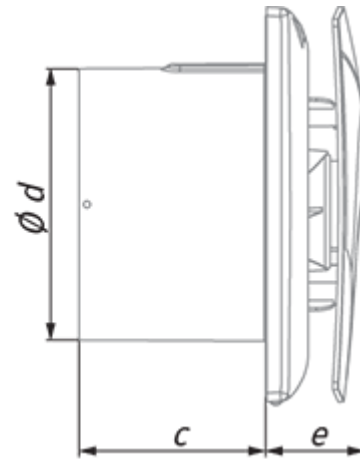
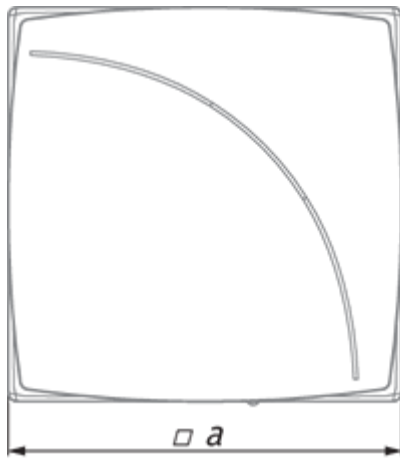
Axial extract fan equipped with a decorative front panel, high air flow and low energy consumption

- Casing material: Plastic
- Backdraft protection: Backdraft damper

	Unit of measurement	Moon 100 (220-240V/60Hz)
Connected air duct size	mm	100
Speed	-	1
Minimum supply voltage	V	220
Maximum supply voltage	V	240
Power supply frequency	Hz	60
Unit current	A	
Weight	kg	0.51
Ambient air temperature min	°C	1
Ambient air temperature max	°C	40
Ingress protection rating	-	IP44


Dimensions

a	c	Ø d	e
180	79	99	38



Accessories

Thyristor speed controllers

Name	Photo	Description
CDT E1.8		Thyristor speed controller