



KOMFORT Ultra L 250-E S1 white

Compact heat recovery air handling units

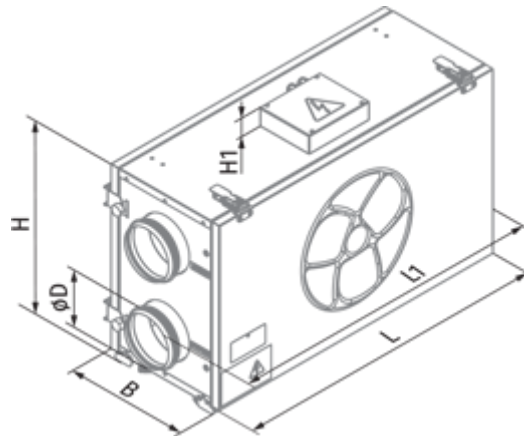
- Maximum airflow: 250
- Sound pressure level LpA at 3 m: 28-47
- Heat exchanger type: Cross flow
- Extract filter: G4
- Supply filter: G4 (option: F8 PM2.5 > 81 %), G4 (option: F8 PM2.5 > 81 %)
- Sound insulation
- Motor type: AC
- Enthalpy heat exchanger
- Control: Speed controller
- Casing material: Double-skinned white painted metal panels

	Unit of measurement	KOMFORT Ultra L 250-E S1 white
Connected air duct size	mm	125
Speed	-	1
Phases	-	1
Minimum supply voltage	V	230
Maximum supply voltage	V	230
Power supply frequency	Hz	50/60
Rated power	W	148
Unit current	A	0.78
Maximum airflow	m ³ /h	250
Sound pressure level LpA at 3 m	dB(A)	28-47
Heat recovery efficiency, max	%	73
Heat exchanger type	-	Cross flow
Heat exchanger material	-	Enthalpy
Weight	kg	25
Extract filter	-	G4
Supply filter	-	G4 (option: F8 PM2.5 > 81 %), G4 (option: F8 PM2.5 > 81 %)
Transported air temperature (max)	°C	40
Transported air temperature (min)	°C	-25
Ambient air temperature min	°C	1
Ambient air temperature max	°C	40
Ambient air humidity max	%	80

Ingress protection rating	-	IP22
Ingress protection rating of the drive	-	IP44


Dimensions

D	B	H	H1	L	L1
125	300	443	43	713	810





Accessories

Other accessories


Name	Photo	Description
FP 240x184x40 G4		G4 panel filter
FP 240x184x40 F8		
SB C4 200/240		

For round ducts

Name	Photo	Description
SD 125/600		Silencers for round ducts
SD 125/900		Silencers for round ducts

SD 125/1200		Silencers for round ducts
-----------------------------	---	---------------------------

For round ducts

Name	Photo	Description
VRV 125		Backdraft dampers with spring for round ducts