

KOMFORT Roto EC LEHP 400 S18

Compact heat recovery air handling units



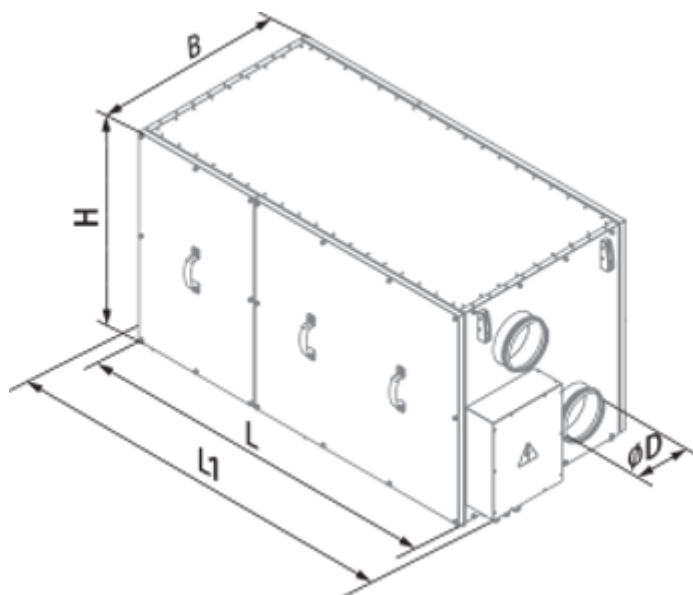
- Power of electrical preheater: 1400
- Maximum airflow: 520
- Sound pressure level LpA at 3 m: 45
- Heat exchanger type: Rotary
- Extract filter: G4
- Supply filter: G4 (опция: F7), G4 (option: F7)
- Sound insulation
- Motor type: EC
- Preheater: Built-in
- Control: Wired control panel
- Casing material: Aluzinc steel
- Humidity sensor: Optional
- CO2 sensor: Optional
- VOC sensor: Optional
- PM2.5 sensor: Optional

| | Unit of measurement | KOMFORT Roto EC LEHP 400 S18 |
|-----------------------------------|---------------------|---------------------------------|
| Connected air duct size | mm | 160 |
| Speed | - | 1 |
| Phases | - | 1 |
| Minimum supply voltage | V | 230 |
| Maximum supply voltage | V | 230 |
| Power supply frequency | Hz | 50 |
| Rated power | W | 745 |
| Power of electrical preheater | W | 1400 |
| Unit current | A | 10.9 |
| Maximum airflow | m ³ /h | 520 |
| Sound pressure level LpA at 3 m | dB(A) | 45 |
| Heat recovery efficiency, max | % | 85 |
| Heat exchanger type | - | Rotary |
| Heat exchanger material | - | Aluminum |
| Weight | kg | 150 |
| Extract filter | - | G4 |
| Supply filter | - | G4 (опция: F7), G4 (option: F7) |
| Transported air temperature (max) | °C | 40 |
| Transported air temperature (min) | °C | -25 |
| Ambient air temperature min | °C | 1 |
| Ambient air temperature max | °C | 40 |

| | | |
|--|---|------|
| Ambient air humidity max | % | 80 |
| Ingress protection rating | - | IP22 |
| Ingress protection rating of the drive | - | IP44 |


Dimensions

| ØD | B | H | L | L1 |
|-----|-----|-----|------|------|
| 159 | 648 | 710 | 1250 | 1421 |





Accessories

Other accessories


| Name | Photo | Description |
|-------------------|---|-----------------|
| FP 600x332x48 G4 |  | G4 panel filter |
| FPT 600x330x27 G4 | | |
| FPT 600x330x27 F7 | | |

For round ducts

| Name | Photo | Description |
|------|-------|-------------|
|------|-------|-------------|

| | | |
|-------------------------|---|---|
| VRV 160 |  | Backdraft dampers with spring for round ducts |
| VKA 160 |  | Air dampers for round ducts |

Humidity sensors

| Name | Photo | Description |
|---------------------|---|-----------------|
| FS2 |  | Humidity sensor |