

KOMFORT Roto EC LE 400-2 S17

Air handling units with rotary heat exchanger

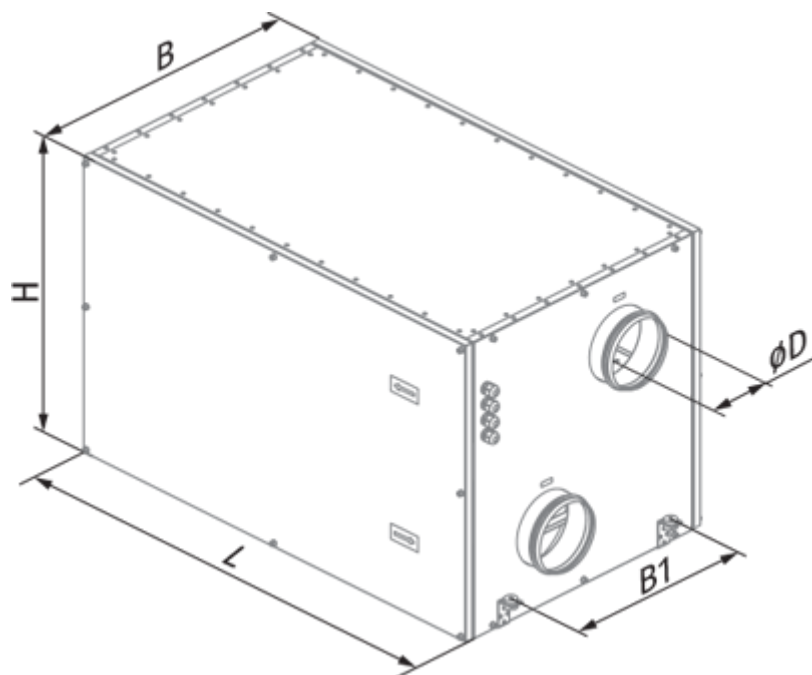
- Power of electrical reheater: 2000
- Maximum airflow: 400
- Sound pressure level LpA at 3 m: 45
- Heat exchanger type: Rotary
- Extract filter: G4
- Supply filter: G4
- Sound insulation
- Motor type: EC
- Reheater: Electric
- Control: Wired control panel
- Casing material: Aluzinc steel
- Humidity sensor: Optional
- CO2 sensor: Optional
- VOC sensor: Optional
- PM2.5 sensor: Optional

| | Unit of measurement | KOMFORT Roto EC LE 400-2 S17 |
|-----------------------------------|---------------------|------------------------------|
| Connected air duct size | mm | 160 |
| Speed | - | 1 |
| Phases | - | 1 |
| Minimum supply voltage | V | 230 |
| Maximum supply voltage | V | 230 |
| Power supply frequency | Hz | 50/60 |
| Rated power | W | 290 |
| Power of electrical reheater | W | 2000 |
| Unit current | A | 9.9 |
| Maximum airflow | m ³ /h | 400 |
| Sound pressure level LpA at 3 m | dB(A) | 45 |
| Heat recovery efficiency, max | % | 95 |
| Heat exchanger type | - | Rotary |
| Heat exchanger material | - | Aluminum |
| Weight | kg | 112 |
| Extract filter | - | G4 |
| Supply filter | - | G4 |
| Transported air temperature (max) | °C | 40 |
| Transported air temperature (min) | °C | -25 |
| Ambient air temperature min | °C | 1 |
| Ambient air temperature max | °C | 40 |

| | | |
|--|---|------|
| Ambient air humidity max | % | 80 |
| Ingress protection rating | - | IP22 |
| Ingress protection rating of the drive | - | IP44 |

Dimensions

| $\varnothing D$ | B | B1 | H | L |
|-----------------|-----|-----|-----|------|
| 159 | 648 | 440 | 670 | 1050 |






Accessories

Other accessories



| Name | Photo | Description |
|-------------------|---|-----------------|
| FP 600x324x48 G4 |  | G4 panel filter |
| FPT 393x235x27 G4 | | |

For round ducts

| Name | Photo | Description |
|------|-------|-------------|
|------|-------|-------------|

| | | |
|-----------------------------|---|---------------------------|
| SD 160/600 |  | Silencers for round ducts |
| SD 160/900 |  | Silencers for round ducts |
| SD 160/1200 |  | Silencers for round ducts |

For round ducts

| Name | Photo | Description |
|--------------------------|---|---|
| VRV 160 |  | Backdraft dampers with spring for round ducts |
| VRVS 160 |  | Backdraft air dampers for round ducts |

Humidity sensors

| Name | Photo | Description |
|---------------------|---|-----------------|
| FS2 |  | Humidity sensor |