



# KOMFORT LW 800-4

Heat recovery air handling units

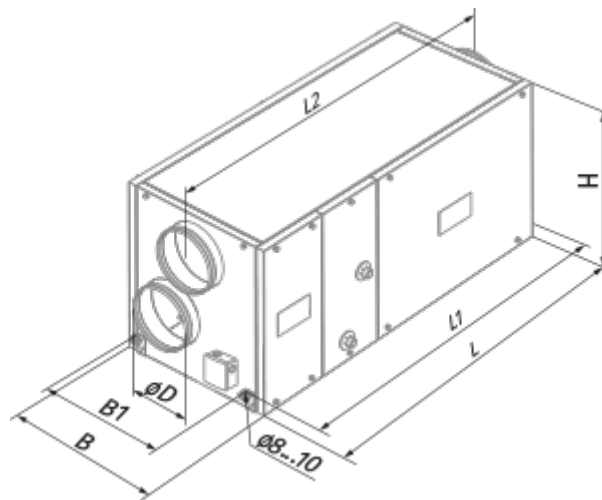
- Maximum airflow: 780
- Sound pressure level LpA at 3 m: 48
- Heat exchanger type: Cross flow
- Extract filter: G4
- Supply filter: G4
- Sound insulation
- Motor type: AC
- Reheater: Water
- Control: Wired control panel
- Casing material: Aluzinc steel

|                                   | Unit of measurement | KOMFORT LW 800-4 |
|-----------------------------------|---------------------|------------------|
| Connected air duct size           | mm                  | 250              |
| Speed                             | -                   | 1                |
| Phases                            | -                   | 1                |
| Minimum supply voltage            | V                   | 230              |
| Maximum supply voltage            | V                   | 230              |
| Power supply frequency            | Hz                  | 50               |
| Rated power                       | W                   | 490              |
| Unit current                      | A                   | 2.16             |
| Maximum airflow                   | m <sup>3</sup> /h   | 780              |
| Sound pressure level LpA at 3 m   | dB(A)               | 48               |
| Heat recovery efficiency, max     | %                   | 78               |
| Heat exchanger type               | -                   | Cross flow       |
| Heat exchanger material           | -                   | Polystyrene      |
| Weight                            | kg                  | 88               |
| Extract filter                    | -                   | G4               |
| Supply filter                     | -                   | G4               |
| Transported air temperature (max) | °C                  | 40               |
| Transported air temperature (min) | °C                  | -25              |
| Ambient air temperature min       | °C                  | 1                |
| Ambient air temperature max       | °C                  | 40               |
| Ambient air humidity max          | %                   | 80               |

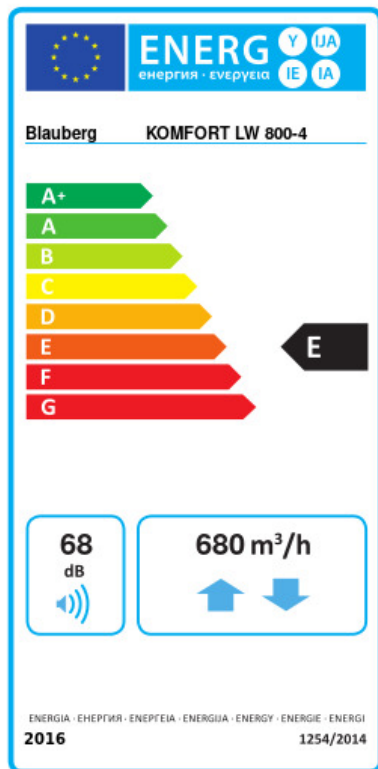
|  |   |      |
|--|---|------|
| Ingress protection rating              | - | IP22 |
| Ingress protection rating of the drive | - | IP44 |

## Dimensions

| ØD  | B   | B1  | H   | L    | L1   | L2   |
|-----|-----|-----|-----|------|------|------|
| 249 | 613 | 460 | 698 | 1071 | 1117 | 1171 |



## Ecodesign



|   |                  |         |         |
|---|------------------|---------|---------|
| Trademark   | Blauberg         |         |         |
| Model   | KOMFORT LW 800-4 |         |         |
| Specific energy consumption (SEC) (kWh/(m <sup>2</sup> /a)) | Cold             | Average | Warm    |
|   | 50.4             | A+ 19.8 | E 0.3 G |
| Type of ventilation unit                                    | Bidirectional    |         |         |
| Type of drive installed                                     | Multi-speed      |         |         |
| Type of heat recovery system                                | Recuperative     |         |         |
| Thermal efficiency of heat recovery (%)                     | 64               |         |         |
| Maximum flow rate (m <sup>3</sup> /h)                       | 680              |         |         |
| Electric power input (W)                                    | 490              |         |         |
| Reference flow rate (m <sup>3</sup> /s)                     | 0.136            |         |         |
| Reference pressure difference (Pa)                          | 50               |         |         |
| Specific power input (SPI) (W/(m <sup>3</sup> /h))          | 0.551            |         |         |
| Control typology  | Manual control   |         |         |
| Maximum internal leakage rates (%)                          | 2.7              |         |         |
| Maximum external leakage rates (%)                          | 2.7              |         |         |
| Declared typology   | RVU BVU          |         |         |
| Sound power level (dB(A))                                   | 68               |         |         |
| The annual electricity consumption (AEC) (kWh/a)            | Cold             | Average | Warm    |
|   | 1272             | 735     | 690     |
| The annual heating saved (AHS) (kWh/a)                      | Cold             | Average | Warm    |
|   | 7343             | 3754    | 1697    |

## Accessories


### Other accessories

| Name             | Photo | Description     |
|------------------|-------|-----------------|
| FP 550x253x48 G4 |       | G4 panel filter |
| SB C4 300/384    |       |                 |

### For round ducts

| Name                         | Photo  | Description                        |
|------------------------------|--|------------------------------------|
| <a href="#">SD 250/600</a>   |   | Silencers for round ducts          |
| <a href="#">SD 250/900</a>   |   | Silencers for round ducts          |
| <a href="#">SD 250/1200</a>  |   | Silencers for round ducts          |
| <a href="#">SDF 250/600</a>  |   | Flexible silencers for round ducts |
| <a href="#">SDF 250/900</a>  |   | Flexible silencers for round ducts |
| <a href="#">SDF 250/2000</a> |  | Flexible silencers for round ducts |

#### For round ducts

| Name                    | Photo   | Description                                   |
|-------------------------|---|---|
| <a href="#">VRV 250</a> |  | Backdraft dampers with spring for round ducts |